

Rotary latch

I-3000

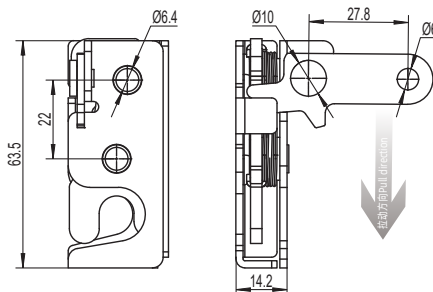


垂直

(图示为左侧驱动装置)

Vertical

(The picture shows the drive on the left)

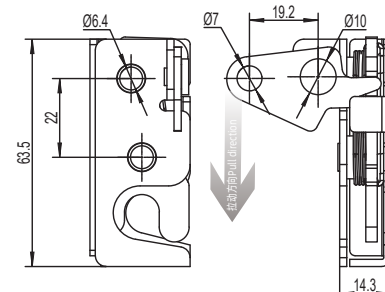


加长垂直

(图示为右侧驱动装置)

Lengthen vertical

(The picture shows the drive on the right)

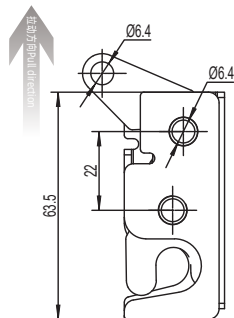


顶部

(图示为左侧驱动装置)

Top

(The picture shows the drive on the right)

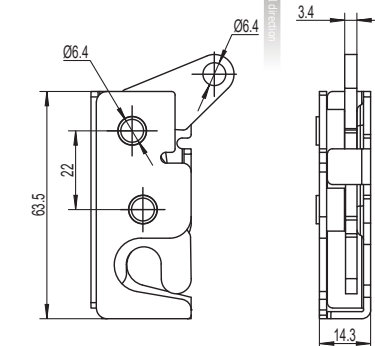


顶部

(图示为右侧驱动装置)

Top

(The picture shows the drive on the right)



如需获得产品3D模型图，请联系 WWW.FORND.COM

选型 Model selection

- 1. 单级，左侧 Single stage, Left side
- 2. 单级，右侧 Single stage, Right side
- 3. 双极，左侧 Double stage, Left side
- 4. 双极，右侧 Double stage, Right side

- 1. 垂直驱动 Vertical drive
- 2. 加长垂直驱动 Extended vertical drive
- 3. 顶部驱动 Top drive

3000-SI-B0-10

- 1. Ø6.4 通孔 Through-hole
- 2. M6x1 螺纹 Screw thread

- 10. 碳钢镀锌 Galvanized iron
- A1.SUS304

1. Material and surface treatment:
Main body: Steel, galvanized or zinc nickel
or SUS304

1. 材质及表面处理:
主体: 钢, 镀锌或锌镍, 或 SUS304