

compression cam latch

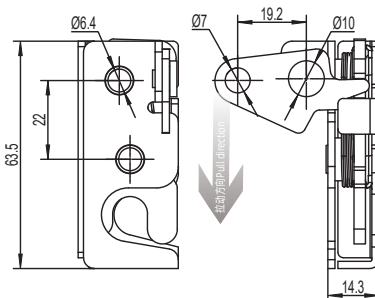
I-3000



垂直
(图示为左侧驱动装置)

Vertical

(The picture shows the drive on the left)

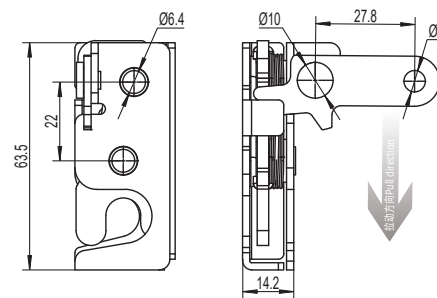


加长垂直

(图示为右侧驱动装置)

Lengthen vertical

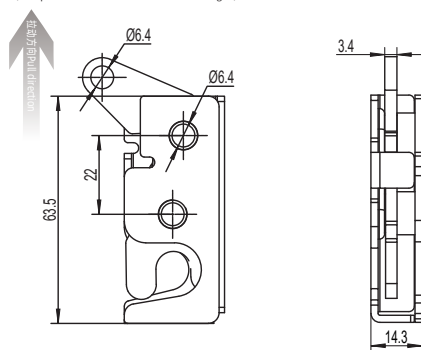
(The picture shows the drive on the right)



顶部
(图示为左侧驱动装置)

Top

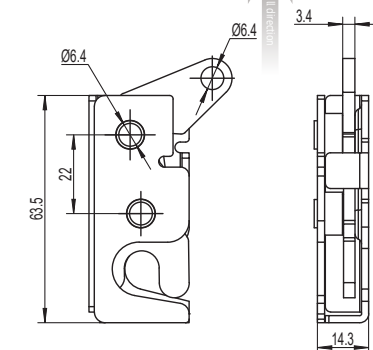
(The picture shows the drive on the right)



顶部
(图示为右侧驱动装置)

Top

(The picture shows the drive on the right)



选型 Model selection

1. 单级, 左侧 Single stage, Left side
2. 单级, 右侧 Single stage, Right side
3. 双极, 左侧 Double stage, Left side
4. 双极, 右侧 Double stage, Right side

1. 垂直驱动 Vertical drive
2. 加长垂直驱动 Extended vertical drive
3. 顶部驱动 Top drive

3000-SI-B0-10

1. Ø6.4 通孔 Through-hole
2. M6x1 螺纹 Screw thread

10. 碳钢镀锌 Galvanized iron
A1.SUS304

1. Material and surface treatment:
Main body: Steel, galvanized or zinc nickel
or SUS304

1. 材质及表面处理:
主体: 钢, 镀锌或锌镍, 或 SUS304

如需获得产品 3D 模型图, 请联系 WWW.FORND.COM