

L handle lock

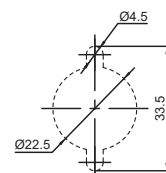
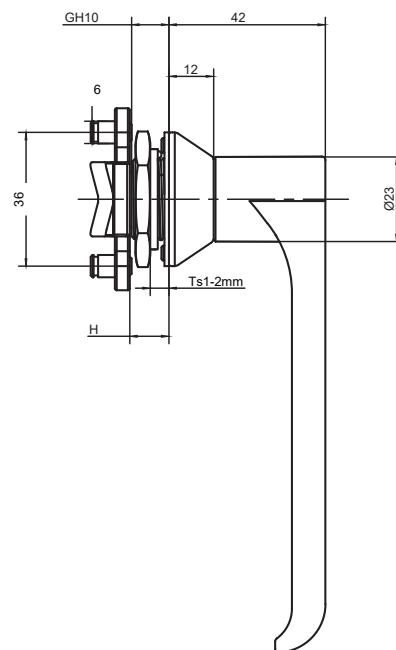
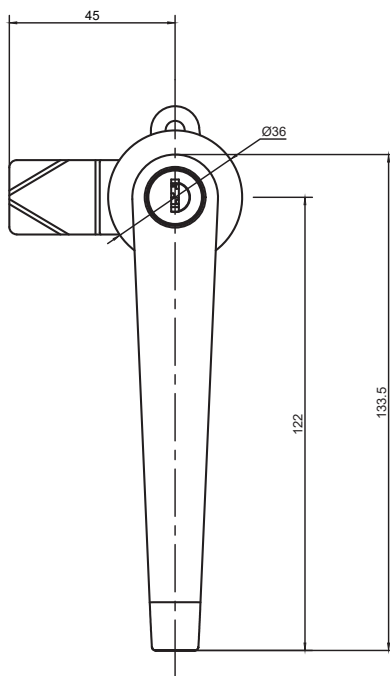
B-1311



RL

IP65

S
BUSINESS
SERIES



开孔尺寸 (Cut out)

如需获得产品3D模型图，请联系 WWW.FORND.COM

1. Material and surface treatment:
Lock body, handler : Zamak DIN-EN 1774-ZnAl4Cu1 or SUS304
Steel bolt: iron galvanized or SUS304
Sealing ring: EPDM foam.

2. Performance parameters:
Protection class: IP65

3. Remarks:
Optional dedicated key
Default K333 key

1. 材质及表面处理:
锁体, 手柄: 5#锌合金或 SUS304
钢栓: 铁镀锌或 SUS304
密封圈: EPDM发泡胶。

2. 性能参数: 防护等级: IP65

3. 备注:
专用钥匙可选
默认 K333 钥匙

	锌合金 Zinc alloy		不锈钢 Stainless steel
	喷塑黑 Powder coating black	亮铬 Bright chrom	
K333 钥匙锁定 K333 key locking	B-1311-10-40	B-1311-10-30	B-1311-10-A1
无钥匙锁 Non-locking	B-1311-20-40	B-1311-20-30	B-1311-20-A1