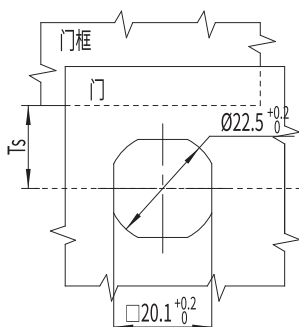
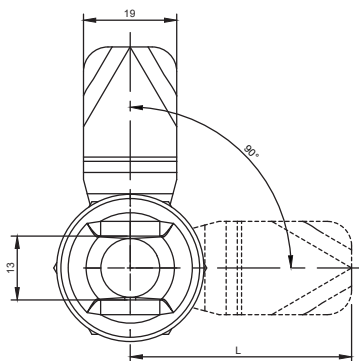
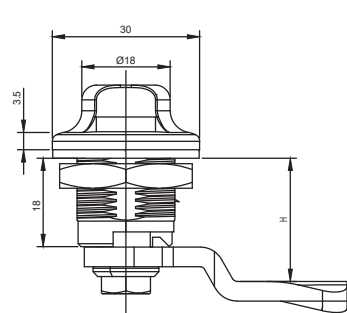


D1-1441

hygienic lock



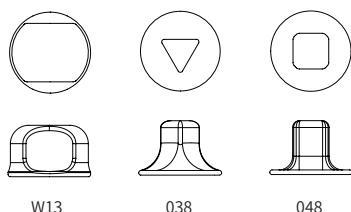
IP69K

STAINLESS SERIES

RL



锁芯 Cylinder



W13

038

048

选型 Model selection

锁芯选型
Lock cylinder selection

D1-1441-SX-LH-A1

A1 代表 SUS304
A1 represents SUS304
A2 代表 SUS316
A2 represents SUS316

L 代表钢栓长度
L represents the length of the steel bolt
H 代表有效高度
H represents effective height

1. Material and surface treatment:
Main body, Steel bolt: SUS304 or SUS316
Sealing ring: Silica gel.

2. Performance parameters:
Protection class: IP69K

3. Installation instructions:
Fixed screw torque 8N. M
Fixed nut torque 17N. M
Applicable door panel thickness: 1-5mm

1. 材质及表面处理:
主体, 钢栓: SUS304 或 SUS316
密封圈: 硅胶
2. 性能参数:
防护等级: IP69K

3. 安装说明:
固定螺丝扭矩 8N.M
固定螺母扭矩 17N.M
适用门板厚度: 1-5mm

如需获得产品 3D 模型图, 请联系 WWW.FORND.COM

hygienic lock

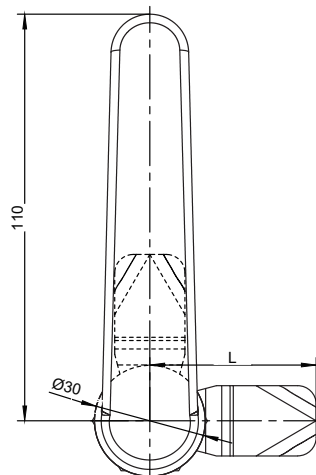
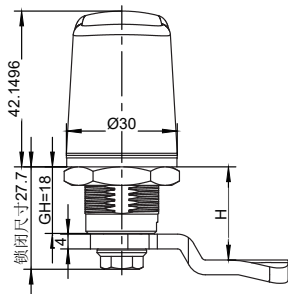
D1-1441



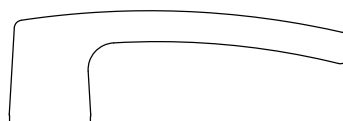
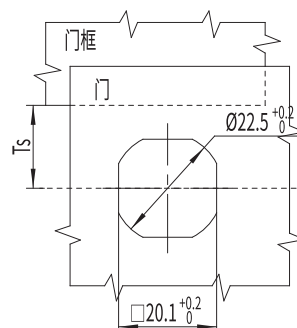
IP69K

S
SAINLESS
SERIES

RL



锁芯 Cylinder



110

选型 Model selection

锁芯选型
Lock cylinder selection

A1 代表 SUS304
A1 represents SUS304
A2 代表 SUS316
A2 represents SUS316

D1-1441-SX-LH-A1

L 代表钢栓长度
L represents the length of the steel bolt
H 代表有效高度
H represents effective height

1. Material and surface treatment:
Main body, Steel bolt: SUS304 or SUS316
Sealing ring: Silica gel.

2. Performance parameters:
Protection class: IP69K

3. Installation instructions:
Fixed screw torque 8N. M
Fixed nut torque 17N. M
Applicable door panel thickness: 1-5mm

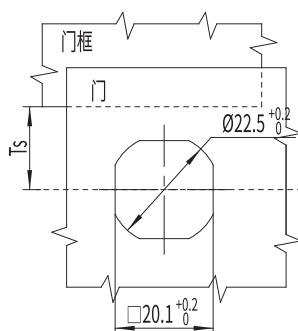
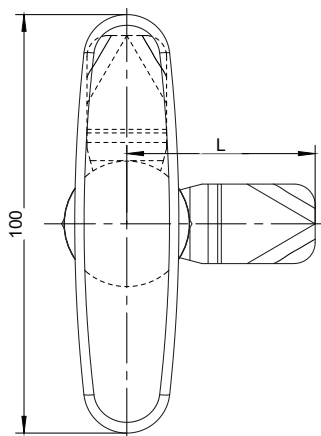
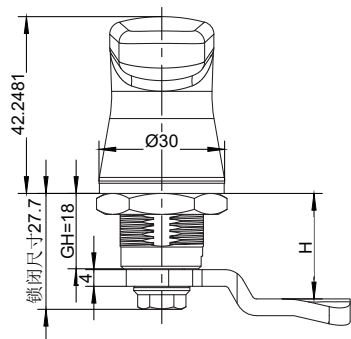
1. 材质及表面处理:
主体, 钢栓: SUS304 或 SUS316
密封圈: 硅胶
2. 性能参数:
防护等级: IP69K

3. 安装说明:
固定螺丝扭矩 8N.M
固定螺母扭矩 17N.M
适用门板厚度: 1-5mm

如需获得产品 3D 模型图, 请联系 WWW.FORND.COM

D1-1441

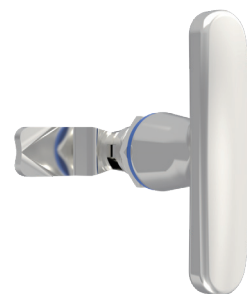
hygienic lock



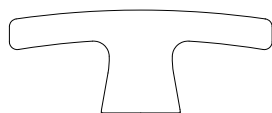
IP69K

STAINLESS
SERIES

RL



锁芯 Cylinder



120

选型 Model selection

锁芯选型
Lock cylinder selection

D1-1441-SX-LH-A1

A1 代表 SUS304
A1 represents SUS304
A2 代表 SUS316
A2 represents SUS316

L 代表钢柱长度
L represents the length of the steel bolt
H 代表有效高度
H represents effective height

1. Material and surface treatment:
Main body, Steel bolt: SUS304 or SUS316
Sealing ring: Silica gel.

2. Performance parameters:
Protection class: IP69K

3. Installation instructions:
Fixed screw torque 8N. M
Fixed nut torque 17N. M
Applicable door panel thickness: 1-5mm

1. 材质及表面处理:
主体, 钢栓: SUS304 或 SUS316
密封圈: 硅胶
2. 性能参数:
防护等级: IP69K

3. 安装说明:
固定螺丝扭矩 8N.M
固定螺母扭矩 17N.M
适用门板厚度: 1-5mm

如需获得产品 3D 模型图，请联系 WWW.FORND.COM