

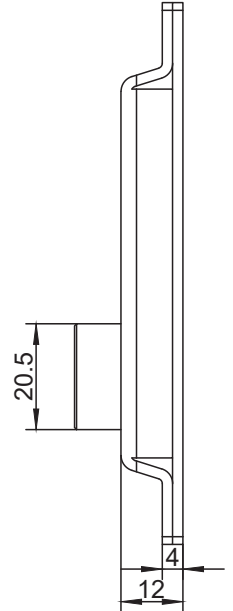
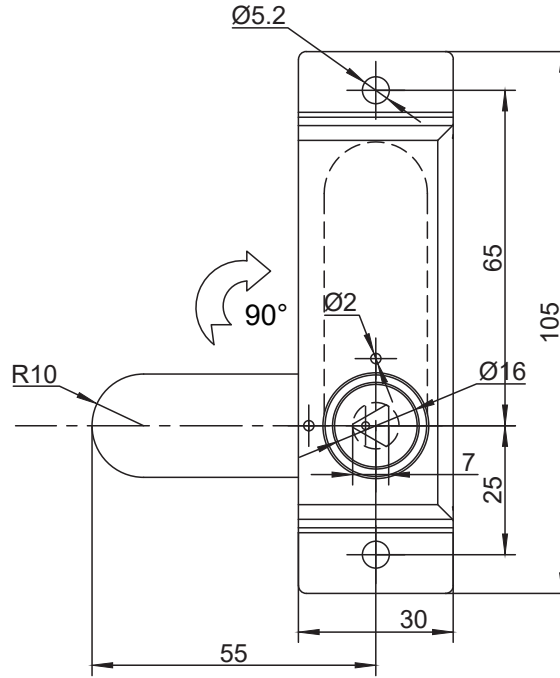
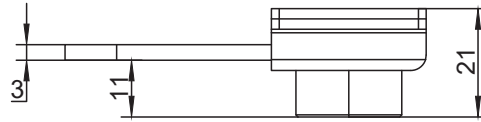
quarter turn lock

D1-1630



IP40

S
S
SERIES



锁芯 Cylinder



047 048 037

选型 Model selection

锁芯选型
Lock cylinder selection

A1 代表 SUS304
A1 represents SUS304
A2 代表 SUS316
A2 represents SUS316

D1-1630-SX-A1

1. Material and surface treatment:
Main body, Steel bolt: SUS304 or SUS316

2. Performance parameters:
Protection class: IP40

1. 材质及表面处理:
主体, 钢栓: SUS304 或 SUS316

2. 性能参数:
防护等级: IP40

如需获得产品3D模型图，请联系 WWW.FORND.COM