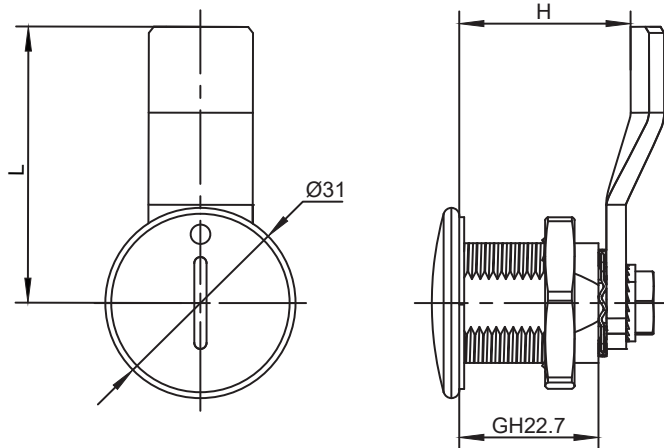


**D1-1445**

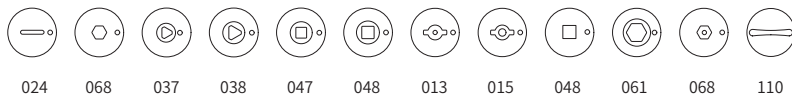
quarter turn lock



IP65



锁芯 Cylinder



选型 Model selection

锁芯选型  
Lock cylinder selection

**D1-1445-SX-LH-30**

30 代表电镀亮铬  
30 represents electroplating bright chrome  
40 代表喷塑亚光黑  
40 represents Black powder coated

L 代表钢栓长度  
L represents the length of the steel bolt  
H 代表有效高度  
H represents effective height

1. Material and surface treatment:  
Main body : Zamak DIN-EN 1774-ZnAl4Cu1  
Steel bolt: iron galvanized

2. Performance parameters:  
Protection class: IP65

3. Installation instructions:  
Fixed nut:  
Maximum tightening torque: 10N · m

1. 材质及表面处理:  
主体: 5#锌合金  
钢栓: 铁镀锌  
密封圈: EPDM发泡胶

2. 性能参数:  
防护等级: IP65

3. 安装说明:  
固定螺母:  
最大拧紧力矩 :10N·m

如需获得产品 3D 模型图，请联系 WWW.FORND.COM