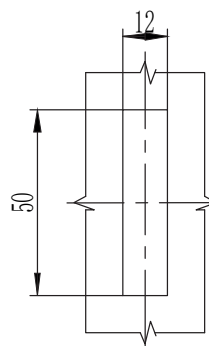
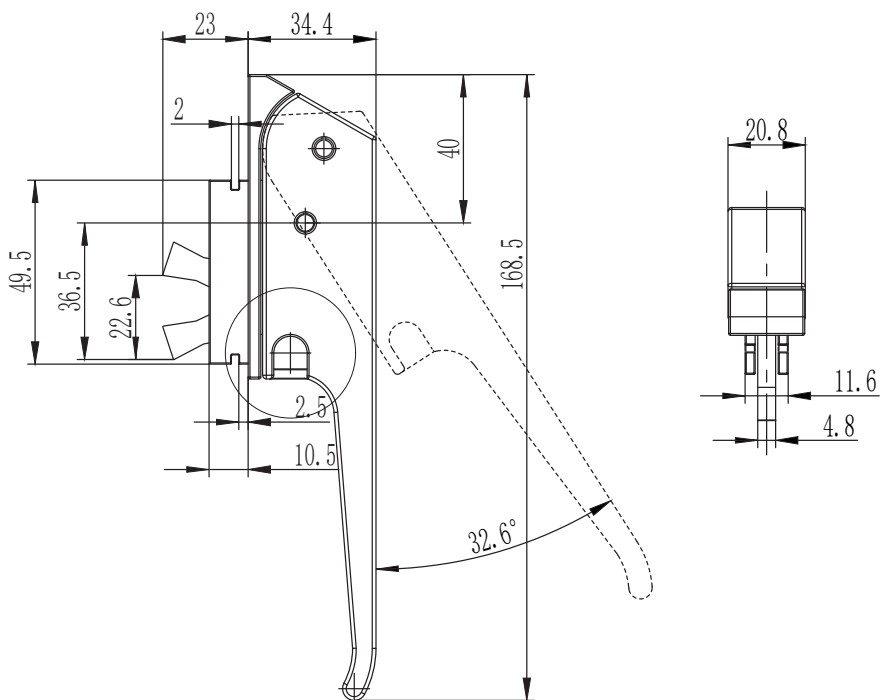
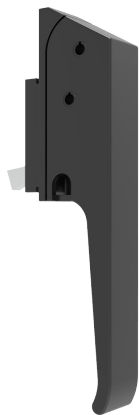


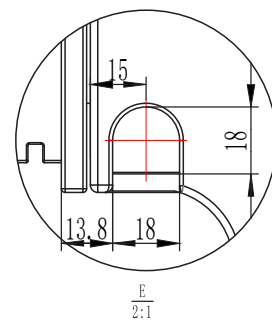
L Lift handle

B-1414

IP40



CUT OUT
开孔尺寸



如需获得产品3D模型图，请联系 WWW.FORND.COM

1. Material and surface treatment:
Lock body, handle, dust cover : Zamak
DIN-EN 1774-ZnAl4Cu1
Steel bolt: iron galvanized
Sealing ring: EPDM foam.

2. Performance parameters:
Protection class: IP40

1. 材质及表面处理:
锁体, 手柄, 防尘盖 5#锌合金喷塑黑
螺栓: 铁镀锌
密封圈: EPDM发泡胶。

2. 性能参数: 防护等级: IP40