

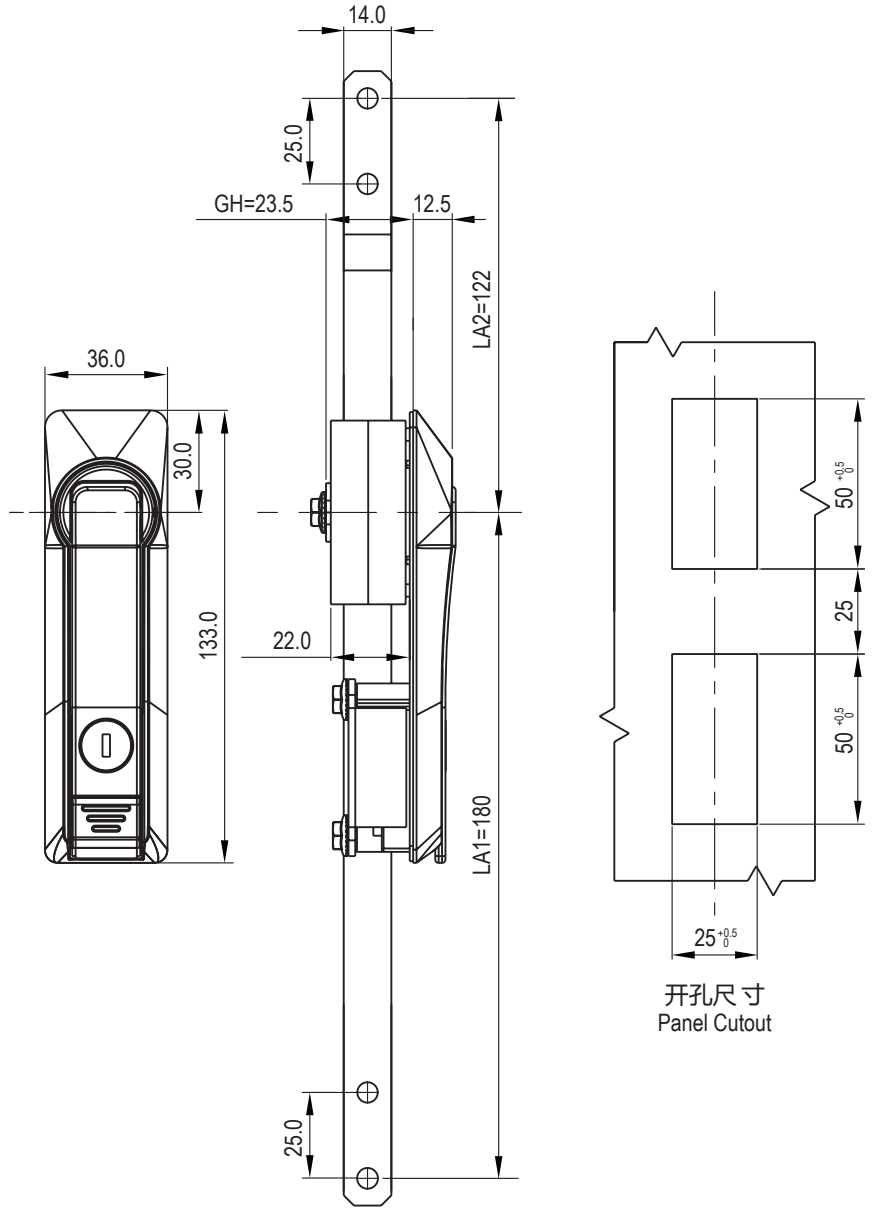
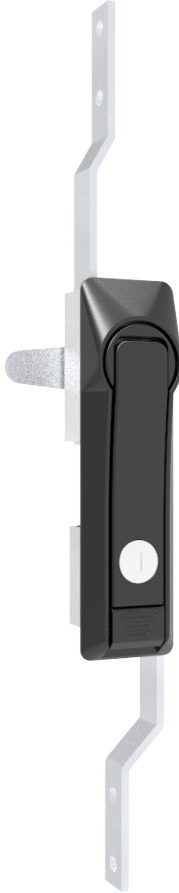
Rod Control Swinghandle

A-1208

RL



IP65



开孔尺寸
Panel Cutout

如需获得产品3D模型图，请联系WWW.FORND.COM

1. Material and surface treatment:
Lock body, handle, dust cover : Zamak
DIN-EN 1774-ZnAl4Cu1
Steel bolt: iron galvanized
Sealing ring: EPDM foam.

2. Performance parameters:
Protection class: IP65
Handle bearing tension value: ≤ 340N
Handle bearing torque value: ≤ 28N.m

3. Remark:
Default K333 key

1. 材质及表面处理:
锁体, 手柄, 防尘盖: 5#锌合金喷塑黑
钢栓: 铁镀锌
密封圈: EPDM发泡胶.

2. 性能参数:
防护等级: IP65
手柄承载拉力值: ≤ 340N
手柄承载扭矩值: ≤ 28N.m

3. 备注:
默认K333钥匙

Version B(两点拉杆型 2Prod control)		Version C(三点拉杆型 3Prod control)	
亚光漆 Matt Pnish paint	喷塑亚光黑 Black powder coated	亚光漆 Matt Pnish paint	喷塑亚光黑 Black powder coated
A-1208-2001-50	A-1208-2001-40	A-1208-3001-50	A-1208-3001-40