

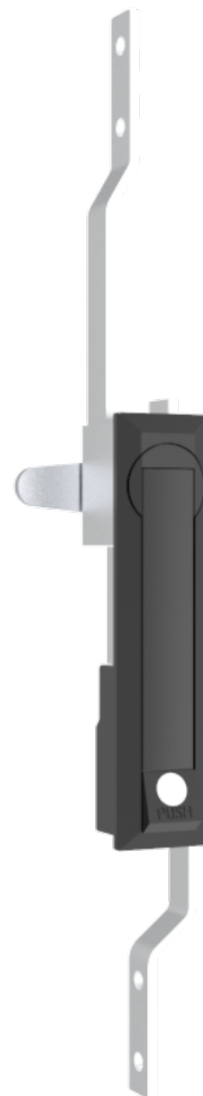
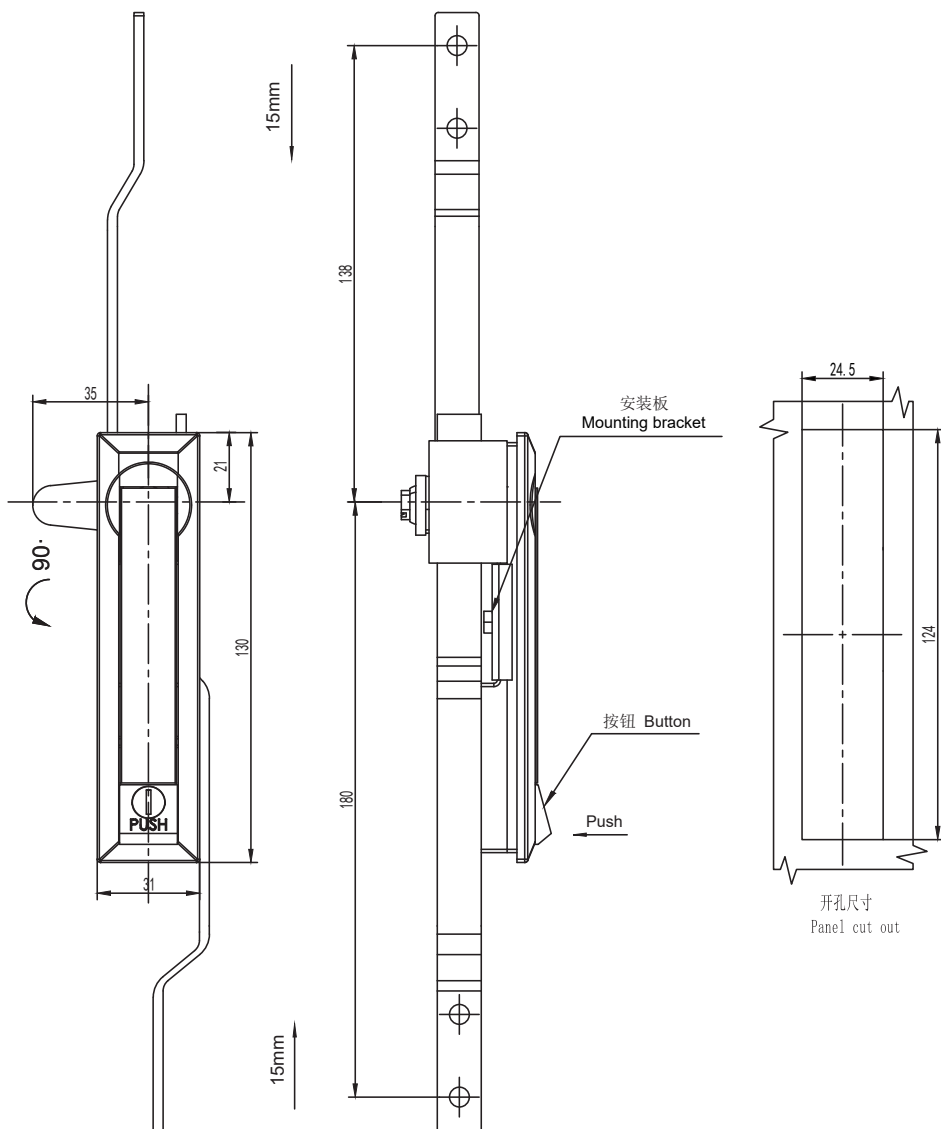
连杆型旋转把手 Rod Control Swinghandle

A-1209 Rod Control Swinghandle

RL

3

IP65



1. Material and surface treatment:
Lock body, handle, dust cover : Zamak
DIN-EN 1774-ZnAl4Cu1
Steel bolt: iron galvanized
Sealing ring: EPDM foam.

2. Performance parameters:
Protection class: IP65
Handle bearing tension value: $\leq 350\text{N}$
Handle bearing torque value: $\leq 25\text{N}\cdot\text{m}$

3. Remark:
Padlockable on request
Default K333 key

1. 材质及表面处理:
锁体, 手柄, 防尘盖: 5#锌合金喷塑黑
螺栓: 铁镀锌
密封圈: EPDM发泡胶。

2. 性能参数:
防护等级: IP65
手柄承载力值: $\leq 350\text{N}$
手柄承载扭矩值: $\leq 25\text{N}\cdot\text{m}$

3. 备注:
可配挂锁
默认K333钥匙

Version B(两点拉杆型 2Prod control)		Version C(三点拉杆型 3Prod control)	
亚光漆 Matt Pnish paint	喷塑亚光黑 Black powder coated	亚光漆 Matt Pnish paint	喷塑亚光黑 Black powder coated
A-1209-2101-50	A-1209-2101-40	A-1209-3101-50	A-1209-3101-40