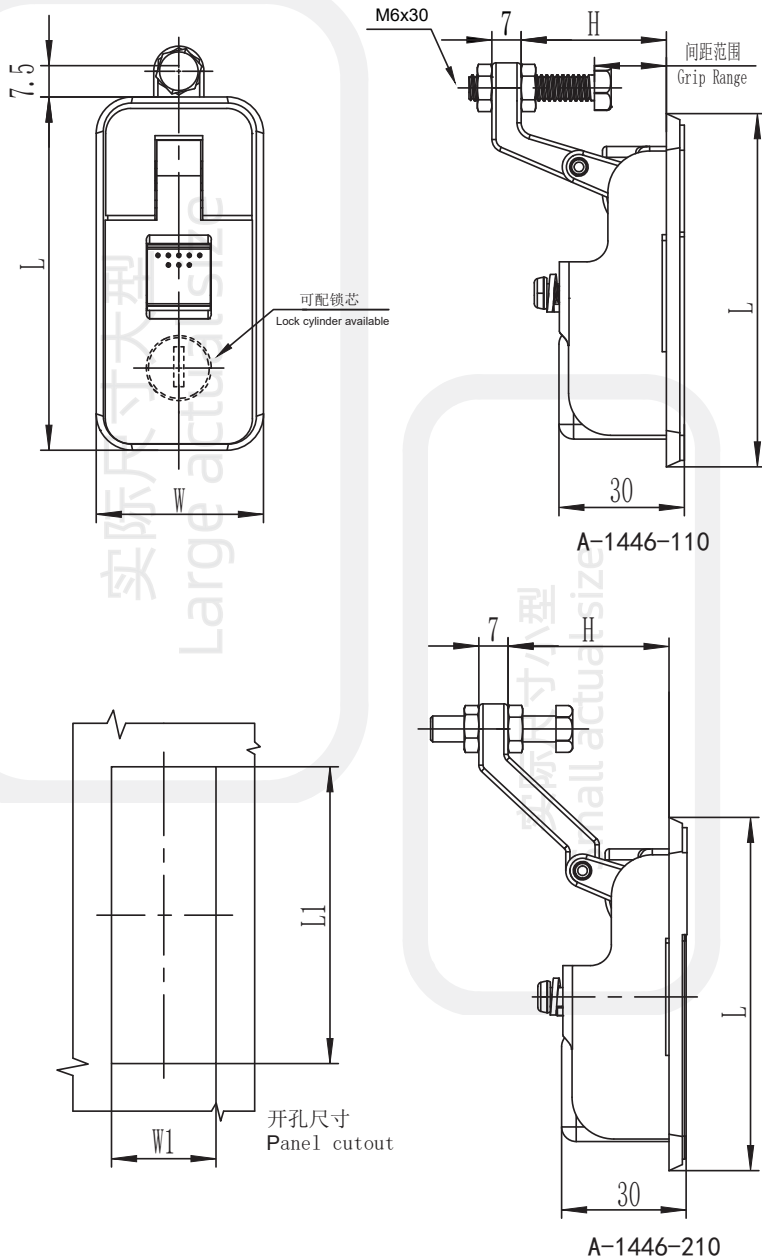


Lever latch

**A-1446**

IP65



如需获得产品3D模型图，请联系 WWW.FORND.COM

1. Material and surface treatment:  
Lock body, handle: Zamak DIN-EN 1774-ZnAl4Cu1  
Steel bolt: iron galvanized  
Sealing ring: EPDM foam.

2. Performance parameters:  
Protection class: IP65  
Handle bearing tension value:  $\leq 750N$   
Maximum static load: 200N

3. Remark:  
Default CH751 key code

1. 材质及表面处理:  
锁体, 手柄: 5# 锌合金  
钢栓: 铁镀锌  
密封圈: EPDM 发泡胶。

2. 性能参数:  
防护等级: IP65  
手柄承载拉力值:  $\leq 790N$   
最大静载荷: 290N

3. 备注:  
默认 CH751 钥匙

尺寸 Size	L	W	L1	W1	H
小型 Small	85mm	40mm	71mm	25mm	20-35mm
大型 Large	109mm	56mm	90.5mm	35mm	20-32mm

尺寸 Size	喷塑亚光黑 Black powder coated		亮铬 Bright Chrome	
	不带锁芯型 Non-locking	CH751 locking with shutter	不带锁芯型 Non-locking	CH751 locking with shutter
小型 Small	A-1446-100-40	A-1446-110-40	A-1446-100-30	A-1446-110-30
大型 Large	A-1446-200-40	A-1446-210-40	A-1446-200-30	A-1446-210-30