

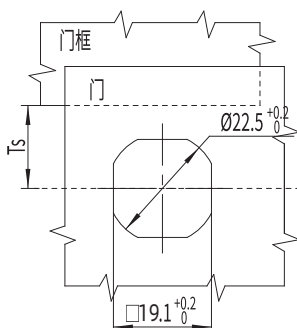
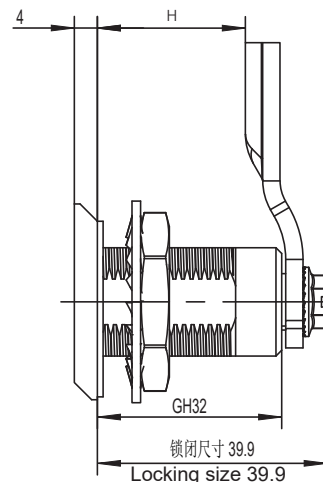
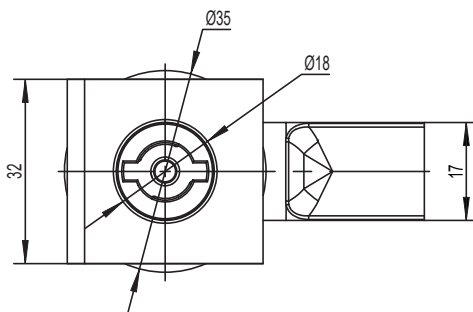
compression cam latch

**C6-1572**

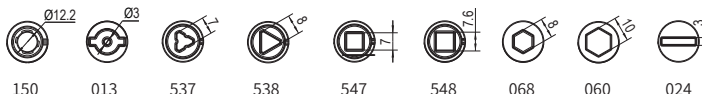


RL

IP65



**锁芯 Cylinder**



**选型 Model selection**

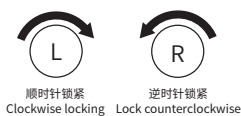
锁芯选型  
Lock cylinder selection

**C6-1572-SX-LH-30L**

30 代表电镀亮铬  
30 represents electroplating bright chrome  
40 代表喷塑亚光黑  
40 represents Black powder coated

L 代表钢栓长度  
L represents the length of the steel bolt  
H 代表有效高度  
H represents effective height

**旋转 Rotate**



如需获得产品 3D 模型图，请联系 WWW.FORND.COM

1. Material and surface treatment:  
Main body : Zamak DIN-EN 1774-ZnAl4Cu1  
Steel bolt: iron galvanized

2. Performance parameters:  
Protection class: IP65  
Unlocking torque:  $\leq 0.79\text{N}\cdot\text{M}$   
Ultimate load: 700N  
Tensioning and stretching amount: 7mm

3. Installation instructions:  
Fixed screw torque 10N. M  
Fixed nut torque 17N. M  
Applicable door panel thickness: 1-5mm

1. 材质及表面处理:  
主体: 5#锌合金  
钢栓: 铁镀锌  
密封圈: EPDM发泡胶

2. 性能参数:  
防护等级: IP65  
解锁扭矩: 小于等于 0.79N·M  
极限载荷: 400N  
拉紧伸缩量: 7mm

3. 安装说明:  
固定螺丝扭矩 10N.M