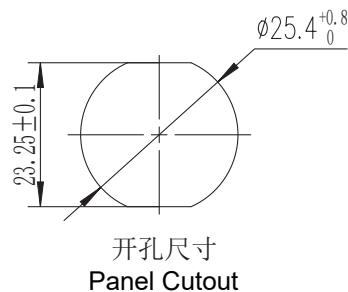
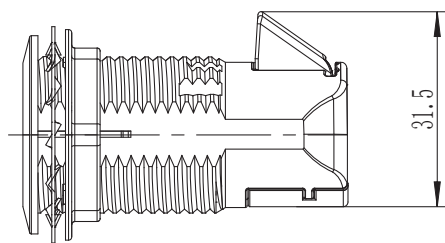
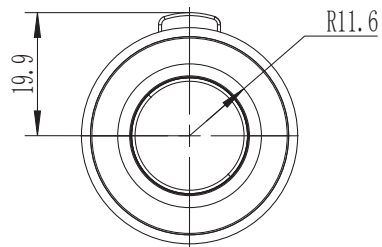
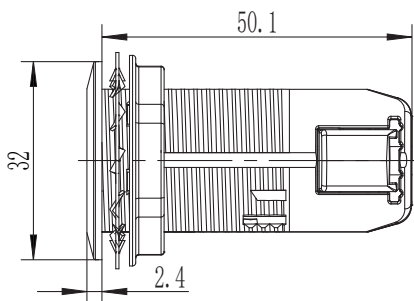


Point Knob latch

B-1711

IP40



如需获得产品 3D 模型图，请联系 WWW.FORND.COM

1. Material and surface treatment:
Lock sleeve: nylon and fiberglass
Flange, button, locking tongue: Zamak DIN-EN 1774-ZnAl4Cu1

2. Performance parameters:
Protection class: IP40

1. 材质及表面处理:
锁套: 尼龙加玻纤
法兰, 按钮, 锁舌: 5# 锌合金

2. 性能参数:
防护等级: IP40