

L handle lock

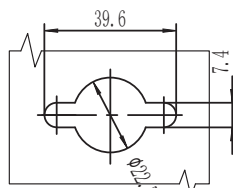
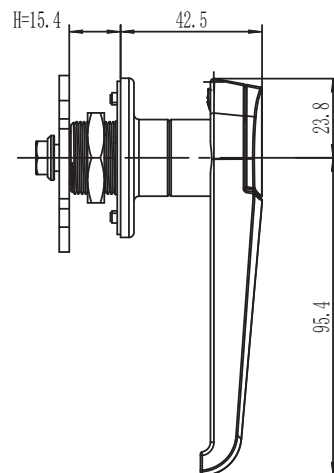
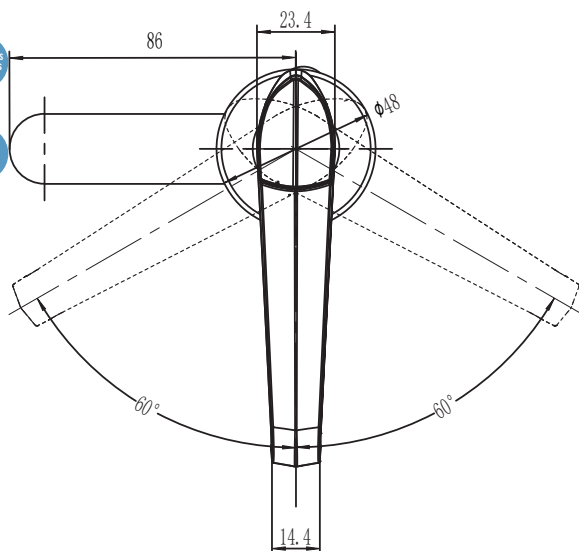
B-1303



RL

S
SAINLESS
SERIES

IP65



开孔尺寸 (Cut out)

如需获得产品3D模型图，请联系 WWW.FORND.COM

1. Material and surface treatment:
Lock body, handler, dust cover: Zamak
DIN-EN 1774-ZnAl4Cu1 or SUS304
Steel bolt: iron galvanized or SUS304
Sealing ring: EPDM foam.

2. Performance parameters:
Protection class: IP65

3. Remarks:
Optional dedicated key
Default K200 key

1. 材质及表面处理:
锁体, 手柄, 防尘盖: 5#锌合金或 SUS304
钢栓: 铁镀锌或 SUS304
密封圈: EPDM发泡胶。

2. 性能参数: 防护等级: IP65

3. 备注:
专用钥匙可选
默认 K200 钥匙

	锌合金, 亮铬 Zinc Bright Chrom	SUS304
K200 钥匙锁定 K200 keylocking	B-1303-30	B-1303-A1