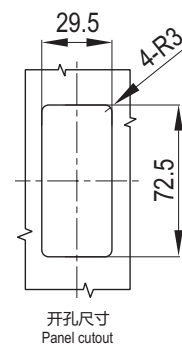
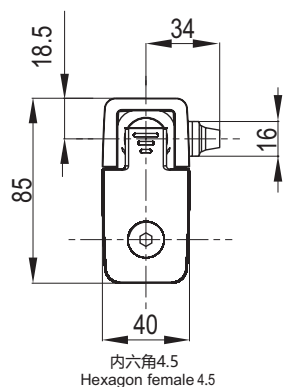
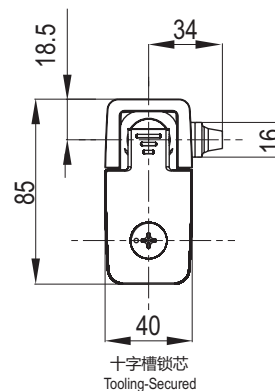
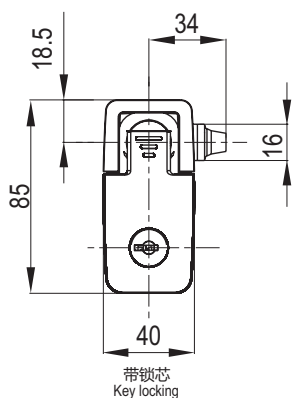
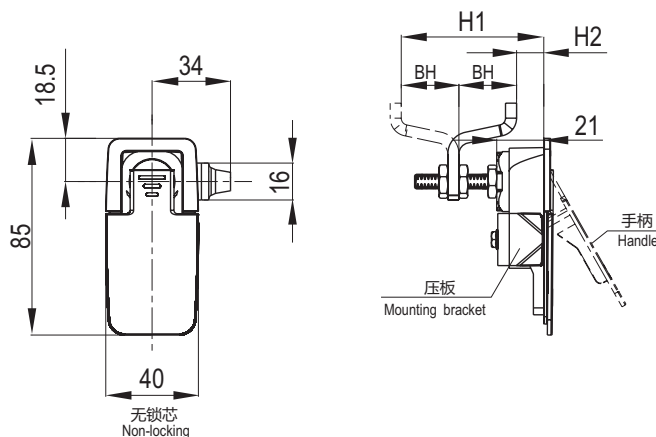
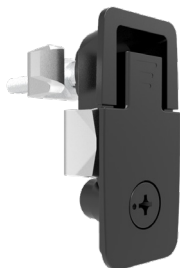


Compression latch

A-1543

IP65



如需获得产品3D模型图，请联系 WWW.FORND.COM

1. Material and surface treatment:
Lock body, handle: Zamak DIN-EN 1774-ZnAl4Cu1
Steel bolt: iron galvanized
Sealing ring: EPDM foam.

2. Performance parameters:
Protection class: IP65
Handle bearing tension value: ≤ 420N
Maximum static load: 400N

3. Remark:
Default CH751 key code

1. 材质及表面处理:
锁体, 手柄: 5# 锌合金
螺栓: 铁镀锌
密封圈: EPDM 发泡胶。

2. 性能参数:
防护等级: IP65
手柄承载拉力值: ≤ 420N
最大静载荷: 400N

3. 备注:
默认 CH751 钥匙

止口高度 Grip-Range		锁芯类型 Cylinder Style	喷漆亚光黑 Black Powder Coated	亮铬 Bright Chrome
正 Pawl Forward MIN~MAX	反 Pawl Reversed MIN~MAX			
6~16	56~66	无锁芯 Non-locking	A-1543-101-40	A-1543-101-30
16~26	46~56		A-1543-102-40	A-1543-102-30
26~36	36~46		A-1543-103-40	A-1543-103-30
6~16	56~66	带锁芯 Key Locking	A-1543-201-40	A-1543-201-30
16~26	46~56		A-1543-202-40	A-1543-202-30
26~36	36~46		A-1543-203-40	A-1543-203-30
6~16	56~66	十字槽 Tooling-Secured	A-1543-301-40	A-1543-301-30
16~26	46~56		A-1543-302-40	A-1543-302-30
26~36	36~46		A-1543-303-40	A-1543-303-30
6~16	56~66	内六角 4.5 Hexagon Female 4.5	A-1543-401-40	A-1543-401-30
16~26	46~56		A-1543-402-40	A-1543-402-30
26~36	36~46		A-1543-403-40	A-1543-403-30