

hygienic lock

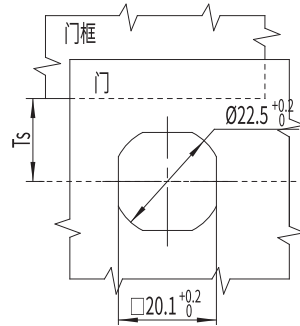
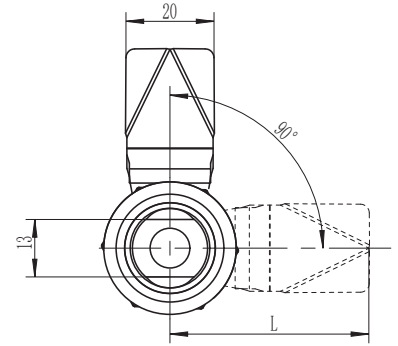
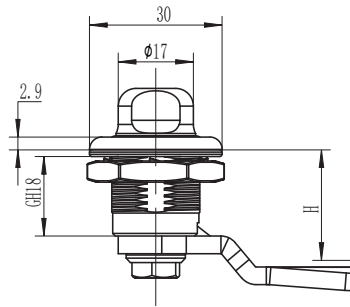
**D1-1440**



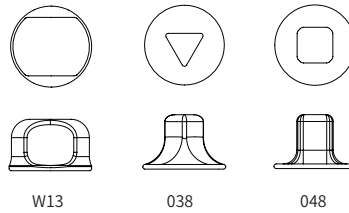
IP69K

SERIES

RL



锁芯 Cylinder



选型 Model selection

锁芯选型  
Lock cylinder selection

**D1-1440-SX-LH-A1**

A1 代表 SUS304  
A1 represents SUS304  
A2 代表 SUS316  
A2 represents SUS316

L 代表钢栓长度  
L represents the length of the steel bolt  
H 代表有效高度  
H represents effective height

如 需 获 得 产 品 3 D 模 型 图 请 联 系 W W W . F O R N D . C O M

1. Material and surface treatment:  
Main body, Steel bolt: SUS304 or SUS316  
Sealing ring: Silica gel.

2. Performance parameters:  
Protection class: IP69K

3. Installation instructions:  
Fixed screw torque 8N. M  
Fixed nut torque 17N. M  
Applicable door panel thickness: 1-5mm

1. 材质及表面处理:  
主体, 钢栓: SUS304 或 SUS316  
密封圈: 硅胶

2. 性能参数:  
防护等级: IP69K

3. 安装说明:  
固定螺丝扭矩 8N.M  
固定螺母扭矩 17N.M  
适用门板厚度: 1-5mm