

Rod Control Swinghandle

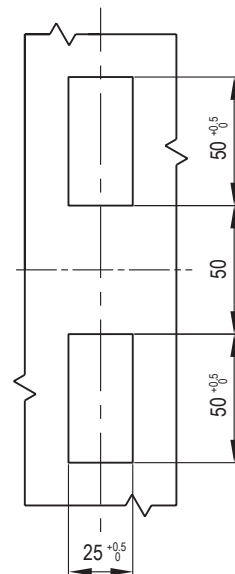
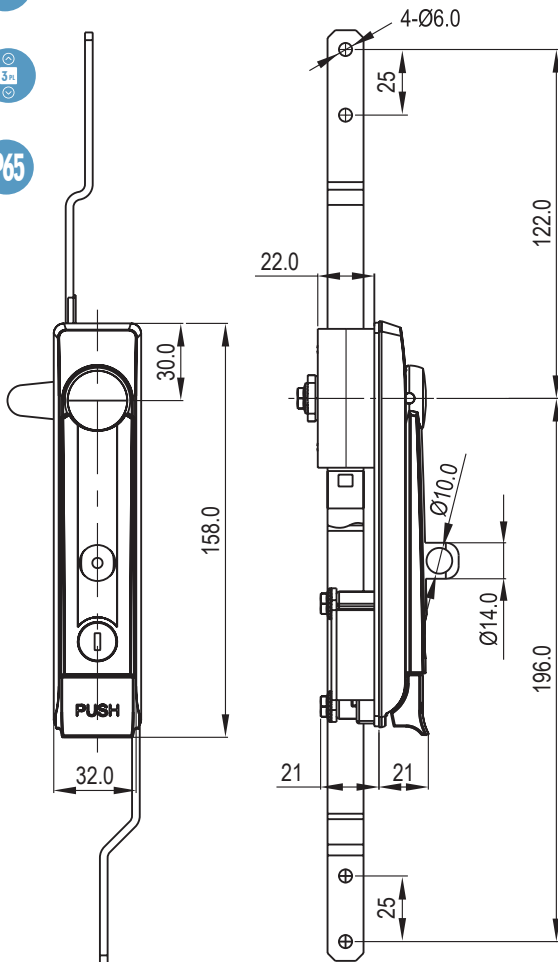
A-1210



RL



IP65



开孔尺寸
Panel Cutout

如需获得产品3D模型图，请联系 WWW.FORND.COM

1. Material and surface treatment:
Lock body, handle, dust cover : Zamak
DIN-EN 1774-ZnAl4Cu1
Steel bolt: iron galvanized
Sealing ring: EPDM foam.

2. Performance parameters:
Protection class: IP65
Handle bearing tension value: ≤ 295N
Handle bearing torque value: ≤ 25N.m
Maximum static load: 270N

3. Remark:
Padlockable on request

1. 材质及表面处理:
锁体, 手柄, 防尘盖: 5# 锌合金喷塑黑
钢栓: 铁镀锌
密封圈: EPDM 发泡胶。

2. 性能参数:
防护等级: IP65
手柄承载拉力值: ≤ 295N
手柄承载扭矩值: ≤ 25N.m
最大静载荷: 270N

3. 备注:
可配挂锁

Version C (三点拉杆型 3Prod control)

	带挂 Padlockable	不带挂 Without padlock
麻面黑 Black Textured powder coated	A-1210-3011-40	A-1210-3001-40