

compression cam latch

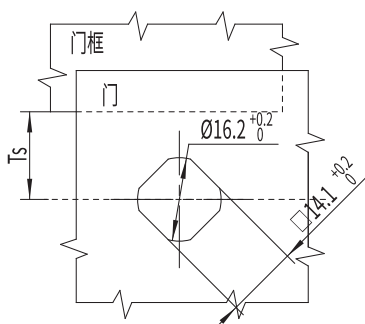
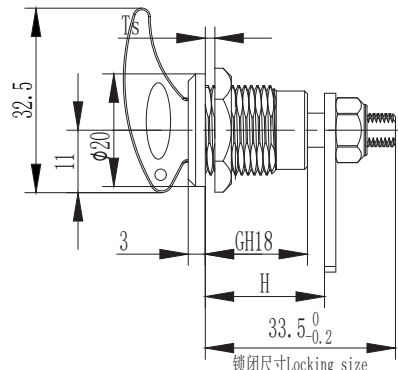
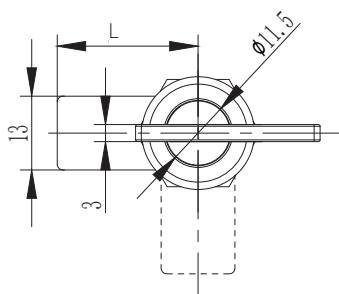
C1-1501



L

IP65

SERIES



如需获得产品 3D 模型图，请联系 WWW.FORND.COM

1. Material and surface treatment:
Lock body, handle, Steel bolt: SUS304 or SUS316
Sealing ring: EPDM foam.

2. Performance parameters:
Protection class: IP65
Unlocking torque: $\leq 0.79\text{N}\cdot\text{M}$
Ultimate load: 200N
Tensioning and stretching amount: 5mm

3. Installation instructions:
Fixed screw torque 5N. M
Fixed nut torque 7N. M
Applicable door panel thickness: 1-3mm

1. 材质及表面处理:
锁体, 手柄, 螺栓: SUS304 或 SUS316
密封圈: EPDM发泡胶。

2. 性能参数:
防护等级: IP65
解锁扭矩: 小于等于 0.79N/M
极限载荷: 200N
拉紧伸缩量: 5mm

3. 安装说明:
固定螺丝扭矩 5N.M
固定螺母扭矩 7N.M
适用门板厚度: 1-3mm

选型 Model selection

C1-1501-500-LH-A1L

30 代表电镀亮铬
30 represents electroplating bright chrome
40 代表喷塑亚光黑
40 represents Black powder coated
A1 代表 SUS304
A1 represents SUS304

L 代表螺栓长度
L represents the length of the steel bolt
H 代表有效高度
H represents effective height

旋转 Rotate



顺时针锁紧
Clockwise locking



逆时针锁紧
Lock counterclockwise