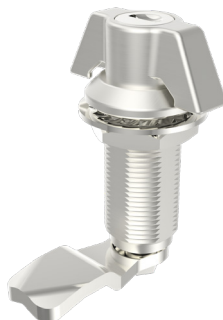


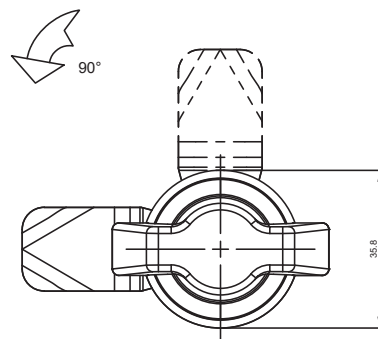
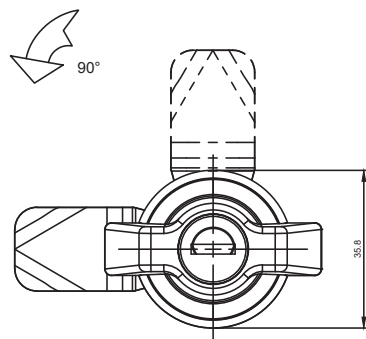
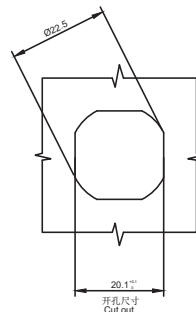
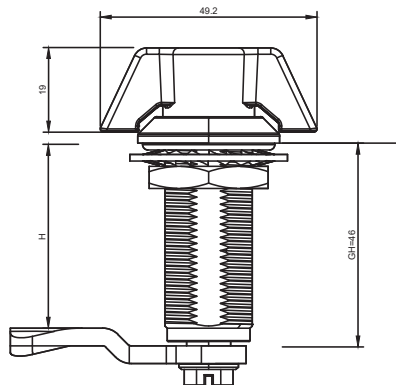
compression cam latch

C8-1562



IP65

S
SUS304 SERIES



锁芯型
Key Locking

无锁芯型
Non - Locking

选型 Model selection

C8-1562-110-LH-30

1 带锁芯
1 Key locking
0 无锁芯
0 Non - Locking

30 代表电镀亮铬
30 represents electroplating bright chrome
40 代表喷塑亚光黑
40 represents Black powder coated
A1 代表 SUS304
A1 represents SUS304

L 代表钢栓长度
L represents the length of the steel bolt
H 代表有效高度
H represents effective height

如需获得产品3D模型图，请联系 WWW.FORND.COM

1. Material and surface treatment:
Main body : Zamak DIN-EN 1774-ZnAl4Cu1
or SUS304
Steel bolt: iron galvanized or SUS304

2. Performance parameters:
Protection class: IP65

3. Installation instructions:
Fixed screw torque 8N. M
Fixed nut torque 17N. M
Applicable door panel thickness: 1-8mm

1. 材质及表面处理:
主体: 5# 锌合金 或 SUS304
钢栓: 铁镀锌 或 SUS304
密封圈: EPDM发泡胶

2. 性能参数:
防护等级: IP65

3. 安装说明:
固定螺丝扭矩 8N.M
固定螺母扭矩 17N.M
适用门板厚度: 1-5mm

4. 备注:
专用钥匙可选
默认 K333 钥匙