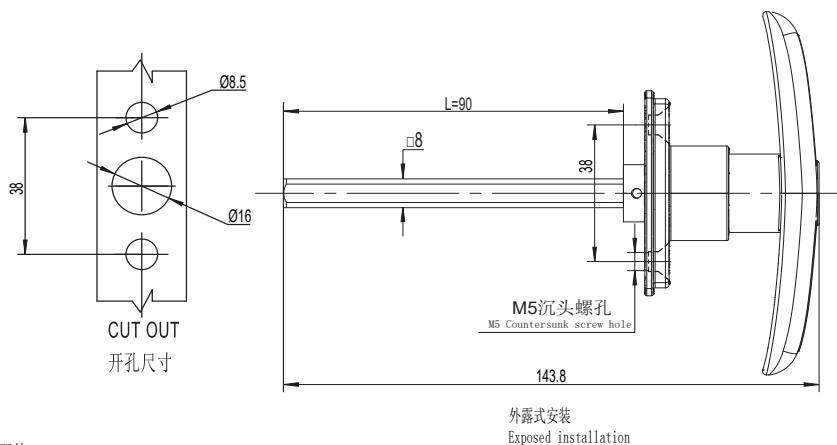
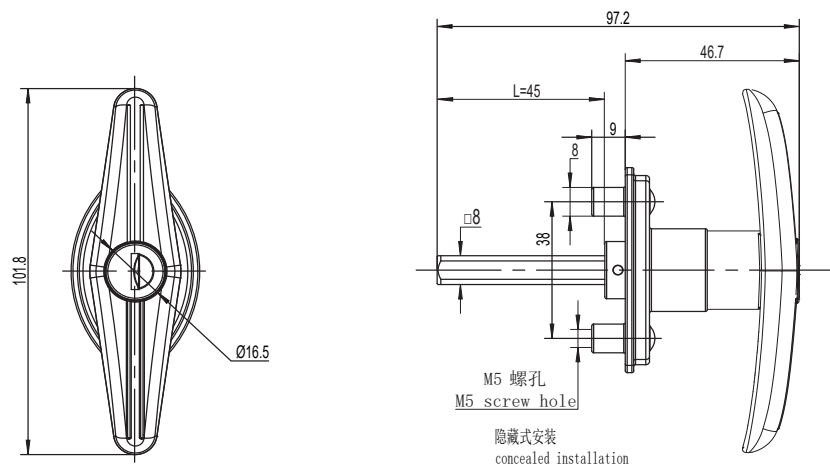


B-1112

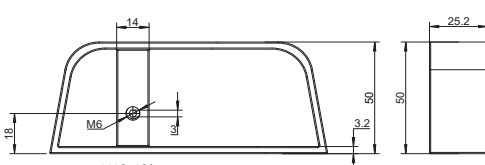
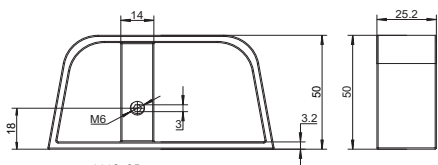
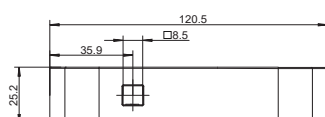
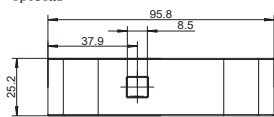
T handle lock

IP40

RL



可选配件
Options

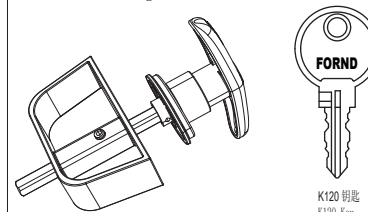


1112-95
钢, 粉末涂层黑
Steel, powder coated black

1112-120
钢, 粉末涂层黑
Steel, powder coated black



安装示意图
Installation diagram



K120 钥匙
K120 Key

1. Material and surface treatment:
Lock body, handler : Zamak DIN-EN
1774-ZnAl4Cu1
Steel bolt: iron galvanized

2. Performance parameters:
Protection class: IP40

3. Remarks:
Optional dedicated key
Default K120 key

1. 材质及表面处理:
锁体, 手柄: 5# 锌合金喷塑黑
钢栓: 铁镀锌

2. 性能参数: 防护等级: IP40

3. 备注:
专用钥匙可选
默认 K120 钥匙

锌合金 Zinc alloy				
	喷塑黑 Powder coating black		亮铬 Chrome plating bright chrome	
	左向 Lift	右向 Right	左向 Lift	右向 Right
隐藏式安装 Exposed installation	B-1112-10L-40	B-1112-10R-40	B-1112-10L-30	B-1112-10R-30
外露式安装 concealed installation	B-1112-20L-40	B-1112-20R-40	B-1112-20L-30	B-1112-20R-30