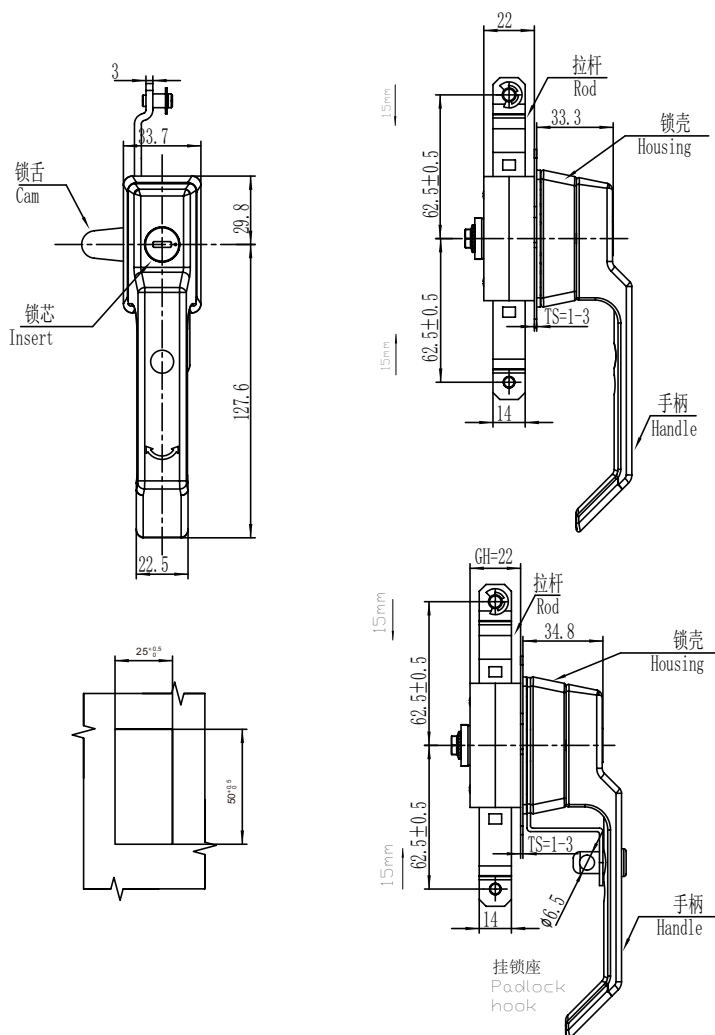
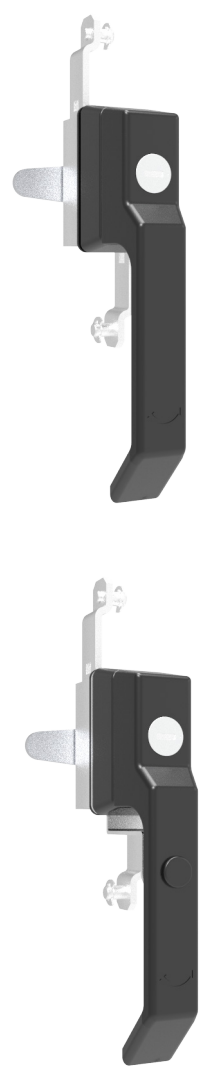


# 连杆型旋转把手 Rod Control Swinghandle

## A-1226 Rod Control Swinghandle



- RL
- SUS304
- IP65



1. Material and surface treatment:  
Lock body, handle: Zamak DIN-EN 1774-ZnAl40Cu1 or SUS304  
Steel bolt: iron galvanized  
Sealing ring: EPDM foam.

2. Performance parameters: Protection class: IP65

3. Remark:  
Padlockable on request

1. 材质及表面处理:  
锁体, 手柄: #5 锌合金或 SUS304  
钢栓: 铁镀锌  
密封圈: EPDM 发泡胶。

2. 性能参数: 防护等级: IP65

3. 备注:  
可配挂锁

	带挂 Padlockable	不带挂 Without padlock
喷漆哑光黑 Black Powder Coated	A-1226-3011-40	A-1226-3001-40
SUS304	A-1226-3011-A1	A-1226-3001-A1

如需获得产品 3D 模型图，请联系 WWW.FORND.COM