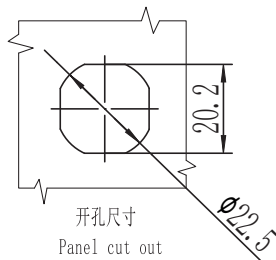
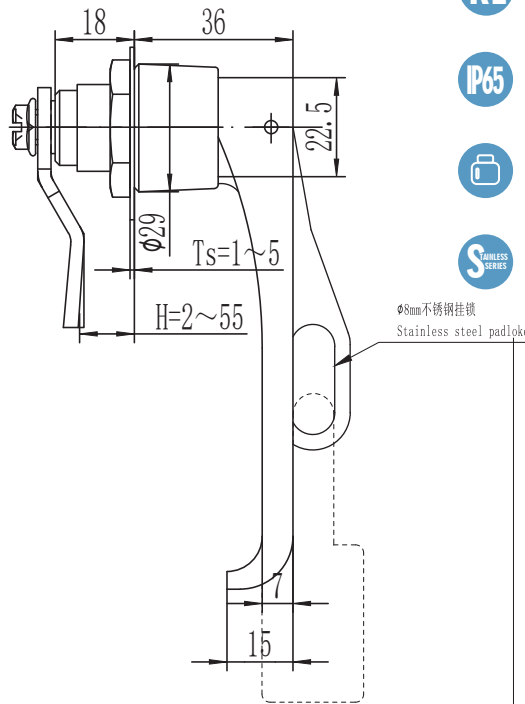
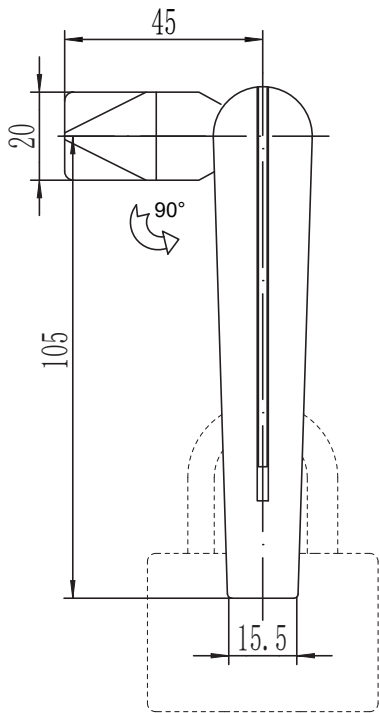


**B-1312**

L handle lock



RL

IP65



S  
STAINLESS  
SERIES



**选型 Model selection**

**B-1312-LH-A1**

- A1 SUS304
- 30 电镀铬
- 30 Electrochrome plating
- 40 粉末涂层黑
- 40 Powder coated black

L 代表钢栓长度  
L represents the length of the steel bolt  
H 代表有效高度  
H represents effective height

1. Material and surface treatment:  
Lock body, handler: Zamak DIN-EN 1774-ZnAl4Cu1 or SUS304  
Steel bolt: iron galvanized or SUS304  
Sealing ring: EPDM foam

2. Performance parameters:  
Protection class: IP65

3. Remarks:  
Stainless steel Padlockable on request

1. 材质及表面处理:  
锁体, 手柄: 5#锌合金 SUS304  
钢栓: 铁镀锌或 SUS304  
密封圈: EPDM发泡胶。

2. 性能参数: 防护等级: IP65

3. 备注:  
配不锈钢挂锁

如需获得产品 3D 模型图, 请联系 WWW.FORND.COM