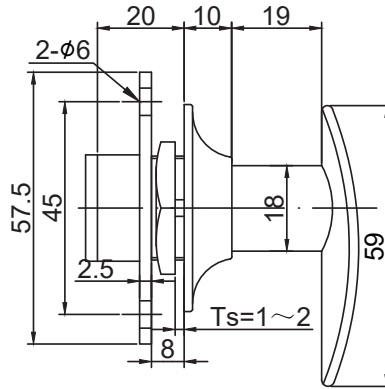
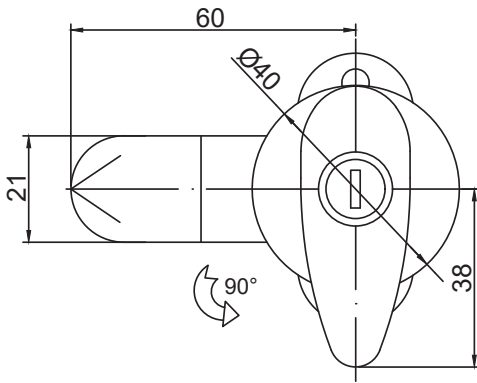


B-1302

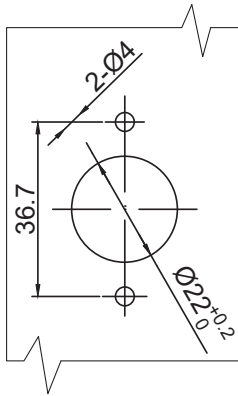
L handle lock



RL

STAINLESS
SERIES

IP65



开孔尺寸
Panel cut out

1. Material and surface treatment:
Lock body, handler : Zamak DIN-EN 1774-ZnAl4Cu1 or SUS304
Steel bolt: iron galvanized or SUS304
Sealing ring: EPDM foam.

2. Performance parameters:
Protection class: IP65

3. Remarks:
Optional dedicated key
Default K200 key

1. 材质及表面处理:
锁体, 手柄: 5#锌合金或 SUS304
钢栓: 铁镀锌或 SUS304
密封圈: EPDM发泡胶。

2. 性能参数: 防护等级: IP65

3. 备注:
专用钥匙可选
默认 K200 钥匙

	电镀亮铬 Bright chrome electroplating	不锈钢 Stainless steel
K200 钥匙锁定 K200 key locking	B-1302-10-30	B-1302-10-A1
不带钥匙锁 Non-locking	B-1302-20-30	B-1302-20-A1