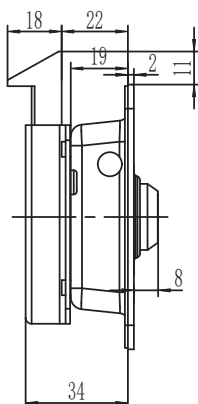
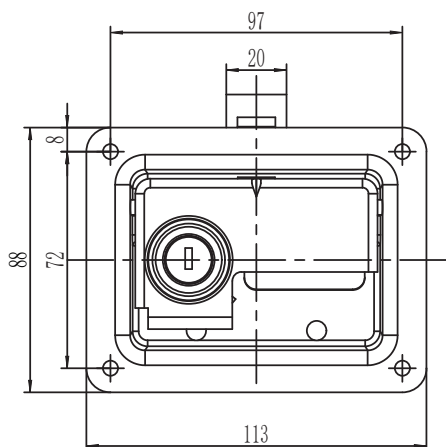


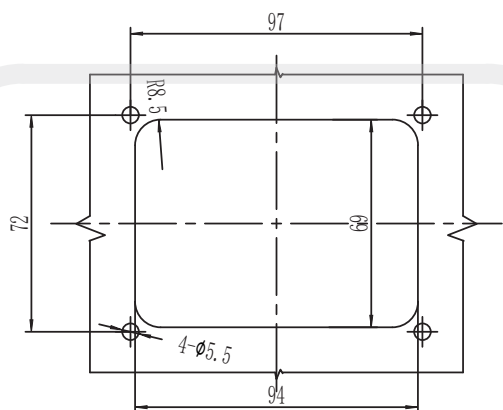
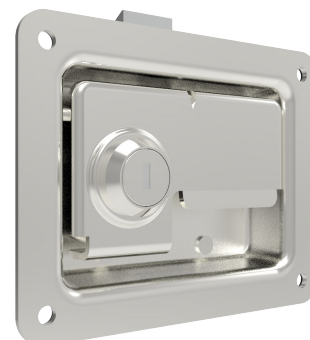
B-1515

Paddle lock



IP40

STAINLESS
SERIES



开孔尺寸
Panel cutout

实际尺寸
Actual size

1. Material and surface treatment:
Lock body, handle : SUS304

2. Performance parameters:
Protection class: IP40
Handle bearing tension value: $\leq 630\text{N}$
Bearing capacity of latch $\leq 1000\text{N}$

3. Remarks:
Default CH751 key

1. 材质及表面处理:
锁体, 手柄: SUS304

2. 性能参数:
防护等级: IP40
手柄承载拉力值: $\leq 1000\text{N}$
锁舌承载力 $\leq 500\text{N}$

3. 备注:
默认 CH751 钥匙

如需获得产品 3D 模型图，请联系 WWW.FORND.COM