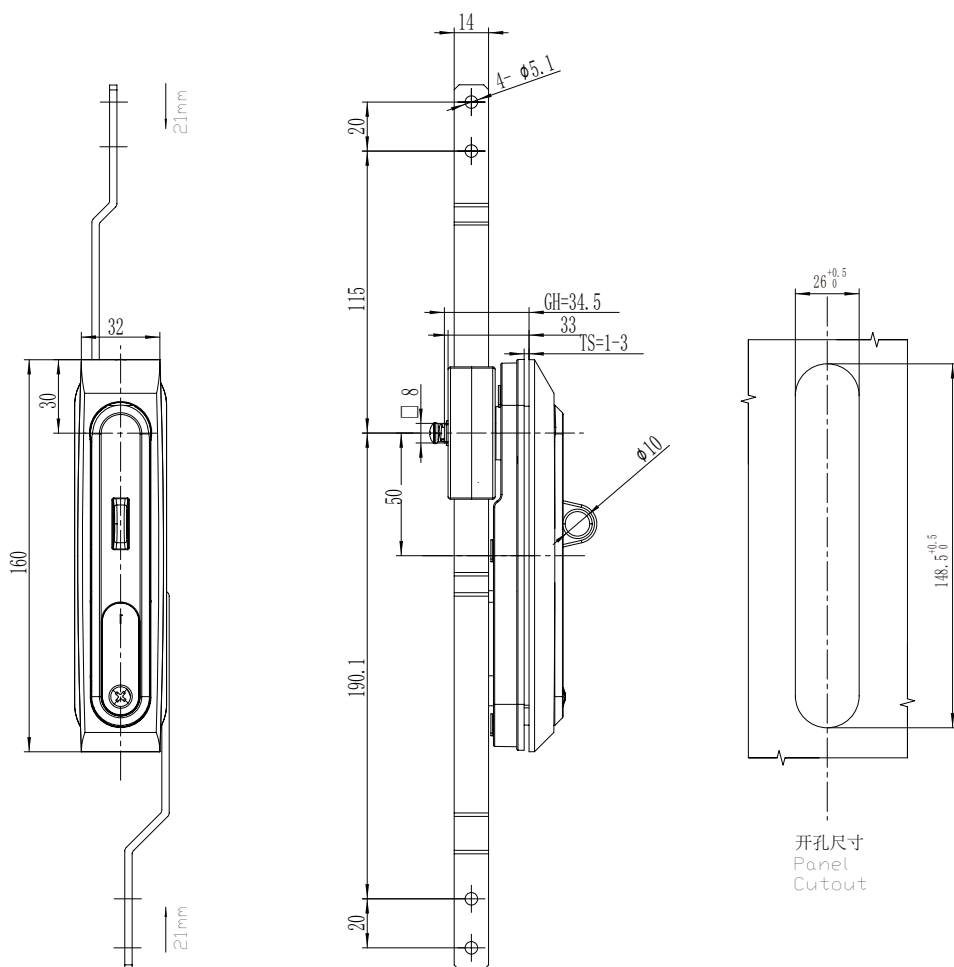


连杆型旋转把手 Rod Control Swinghandle

A-1234 Rod Control Swinghandle



RL

🔒

5

IP65



1. Material and surface treatment:
Lock body, handle, dust cover : Zamak
DIN-EN 1774-ZnAl4Cu1
Steel bolt: iron galvanized
Sealing ring: EPDM foam.

2. Performance parameters:
Protection class: IP65
Handle bearing tension value: $\leq 395\text{N}$
Handle bearing torque value: $\leq 33\text{N}\cdot\text{m}$

3. Remark:
Padlockable on request

1. 材质及表面处理:
锁体, 手柄, 防尘盖 5# 锌合金喷塑黑
钢栓: 铁镀锌
密封圈: EPDM发泡胶

2. 性能参数:
防护等级: IP65
手柄承载拉力值: $\leq 395\text{N}$
手柄承载扭矩值: $\leq 33\text{N}\cdot\text{m}$

3. 备注:
可配挂锁

Version B(两点拉杆型 2Prod control)		Version C(三点拉杆型 3Prod control)	
不带挂 Without padlock	带挂 Padlockable	不带挂 Without padlock	带挂 Padlockable
A-1234-2006-40	A-1234-2016-40	A-1234-3016-40	A-1234-3016-40