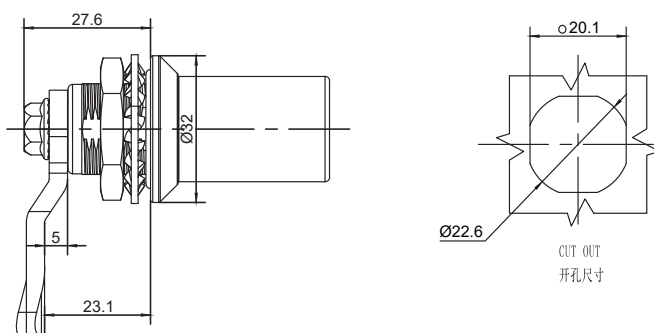
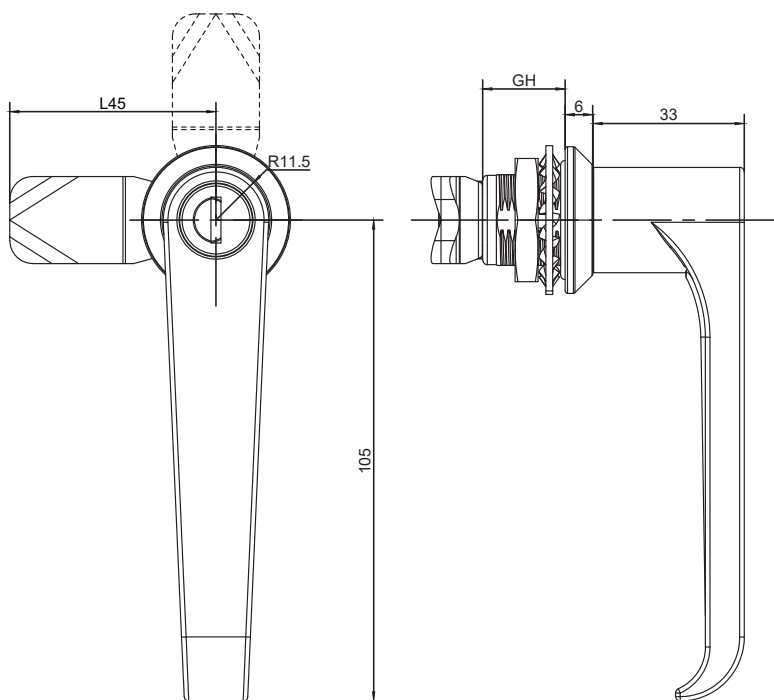


B-1310

L handle lock



RL

IP65

S
SERIES



如需获得产品 3D 模型图，请联系 WWW.FORND.COM

选型 Model selection

0 代表无锁芯
0 Non-locking
1 代表有锁芯
1 key locking

18 代表锁体 GH 锁体高度，18/30/40/50/60
18 represents the height of the lock body GH
18/30/40/50/60

A1 SUS304
30 电镀铬
30 Electrochrome plating
40 粉末涂层黑
40 Powder coated black

B-1310-118-LH-A1

L 代表钢柱长度
L represents the length of the steel bolt
H 代表有效高度
H represents effective height

1. Material and surface treatment:
Lock body, handler : Zinc alloy powder coated black, electrochrome plating
Steel bolt: iron galvanized or SUS304
Sealing ring: EPDM foam.

2. Performance parameters:
Protection class: IP65

3. Remarks:
Optional dedicated key
Default K333 key

1. 材质及表面处理:
锁体, 手柄: 锌合金粉末涂层黑, 电镀铬
钢栓: 铁镀锌或 SUS304
密封圈: EPDM 发泡胶。

2. 性能参数: 防护等级: IP65

3. 备注:
专用钥匙可选
默认 K333 钥匙