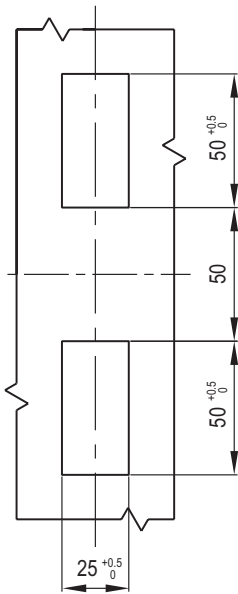
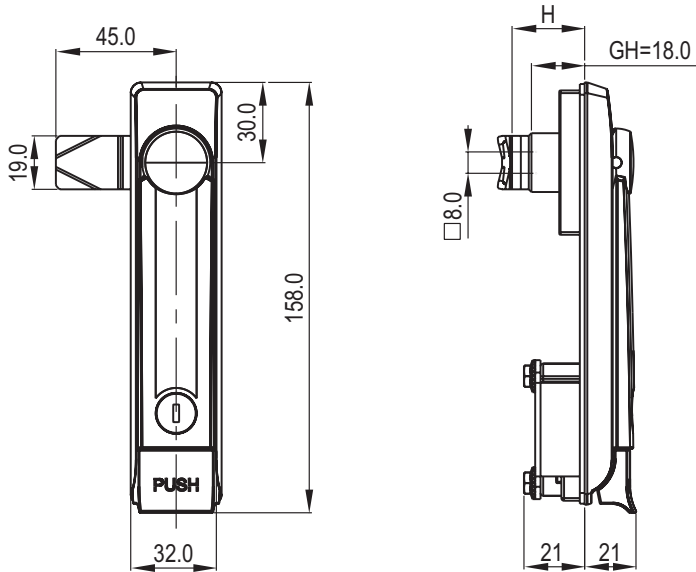


A-1210

Swing handle lock



开孔尺寸
Panel Cutout

RL

🔒

IP65



1. Material and surface treatment:
Lock body, handle, dust cover : Zamak
DIN-EN 1774-ZnAl4Cu1
Steel bolt: iron galvanized
Sealing ring: EPDM foam.

2. Performance parameters:
Protection class: IP65
Handle bearing tension value: $\leq 295\text{N}$
Handle bearing torque value: $\leq 25\text{N}\cdot\text{m}$
Maximum static load: 270N

3. Remark:
Padlockable on request

1. 材质及表面处理:
锁体, 手柄, 防尘盖: 5# 锌合金喷塑黑
螺栓: 铁镀锌
密封圈: EPDM 发泡胶。

2. 性能参数:
防护等级: IP65
手柄承载拉力值: $\leq 295\text{N}$
手柄承载扭矩值: $\leq 25\text{N}\cdot\text{m}$
最大静载荷: 270N

3. 备注:
可配挂锁

Version A(锁舌型 Cam control)		
	带挂 Padlockable	不带挂 Without padlock
麻面黑 Black Textured powder coated	A-1210-1011-40	A-1210-1001-40