

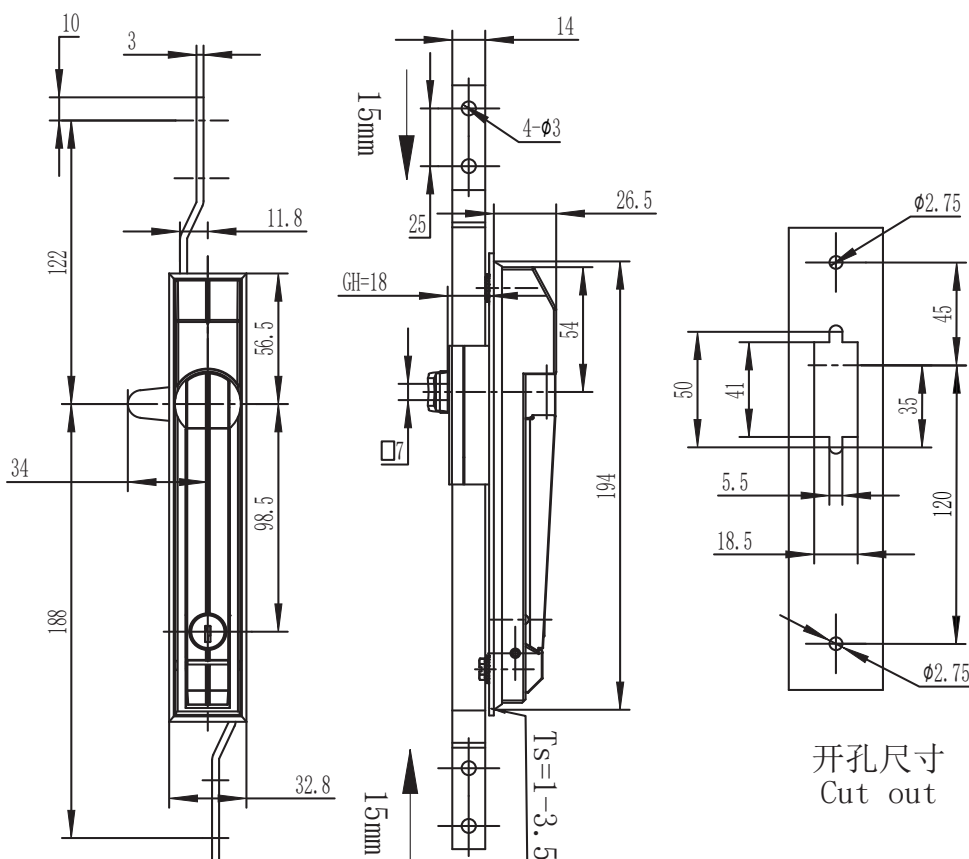
连杆型旋转把手 Rod Control Swinghandle

A-1215 Rod Control Swinghandle

RL



IP54



1. Material and surface treatment:
Lock body, handle, dust cover : Zamak
DIN-EN 1774-ZnAl4Cu1
Steel bolt: iron galvanized
Sealing ring: EPDM foam.

2. Performance parameters:
Protection class: IP54
Handle bearing tension value: $\leq 240\text{N}$
Handle bearing torque value: $\leq 20\text{N}\cdot\text{m}$

3. Remark:
Padlockable on request

1. 材质及表面处理:
锁体, 手柄, 防尘盖 : 5# 锌合金喷塑黑
钢栓 : 铁镀锌
密封圈 : EPDM 发泡胶。

2. 性能参数:
防护等级: IP54
手柄承载拉力值: $\leq 240\text{N}$
手柄承载扭矩值: $\leq 20\text{N}\cdot\text{m}$

3. 备注:
可配挂锁

Version C (三点拉杆型 3Prod control)	
喷塑亚光黑 Black Powder Coated	纳米喷漆 (银亚光) NM spray painting (matte silver)
A-1215-3001-40	A-1215-3001-50