

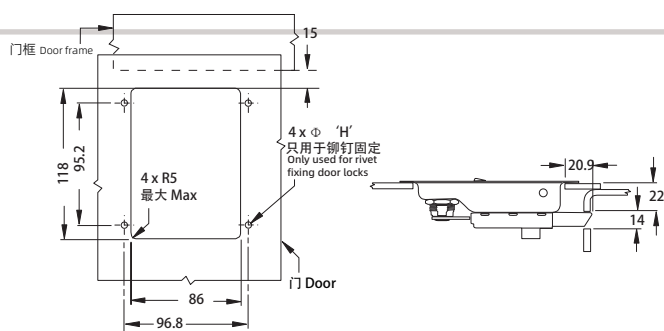
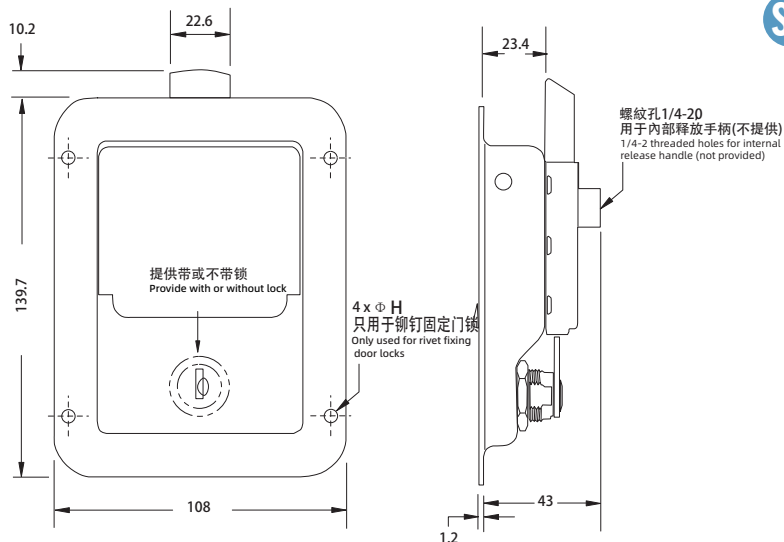
撞击锁 Push to close latch

B-1506-10

Paddle lock

IP40

STAINLESS
SERIES



实际尺寸
Actual size

1. Material and surface treatment:
Lock body, handle : SUS304

2. Performance parameters:
Protection class: IP40
Maximum static load: 560N

3. Remarks:
Default CH751 key

1. 材质及表面处理:
锁体, 手柄: SUS304

2. 性能参数:
防护等级: IP40
最大工作载荷: 560N

3. 备注:
默认 CH751 钥匙

| |
|---------------------------|
| SUS304 |
| CH751 钥匙锁定 CH751 key lock |
| B-1506-10-A1 |