

Swing handle lock

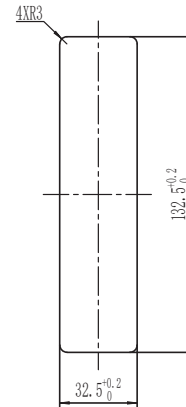
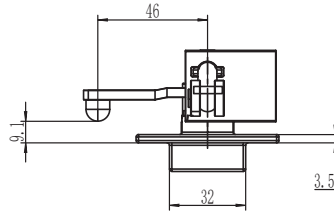
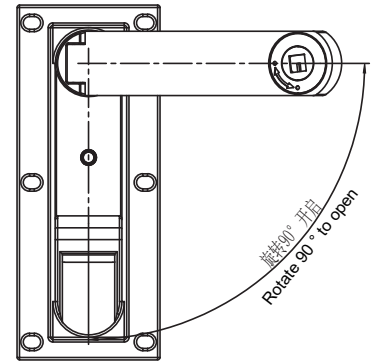
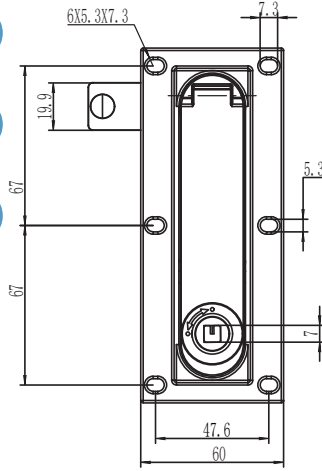
A-1250



RL

S
SAINLESS
SERIES

IP40



开孔尺寸
Panel Cutout

如需获得产品3D模型图，请联系 WWW.FORND.COM

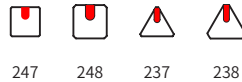
1. Material and surface treatment:
Lock body, handle : SUS304
Steel bolt: SUS304

2. Performance parameters:
Protection class: IP40
Handle bearing tension value: $\leq 280\text{N}$
Handle bearing torque value: $\leq 42\text{N}\cdot\text{m}$
Maximum static load: 300N

1. 材质及表面处理:
锁体, 手柄: SUS304
钢栓: SUS304

2. 性能参数:
防护等级: IP40
手柄承载拉力值: $\leq 280\text{N}$
手柄承载扭矩值: $\leq 42\text{N}\cdot\text{m}$
最大静载荷: 300N

锁芯 Cylinder



SUS304				
	7mm 四方锁芯 Square lock cylinder	8mm 四方锁芯 Square lock cylinder	7mm 三角锁芯 Triangle lock cylinder	8mm 三角锁芯 Triangle lock cylinder
左向 lift	A-1250-247-A1L	A-1250-248-A1L	A-1250-237-A1L	A-1250-238-A1L
右向 Right	A-1250-247-A1R	A-1250-248-A1R	A-1250-237-A1R	A-1250-238-A1R