

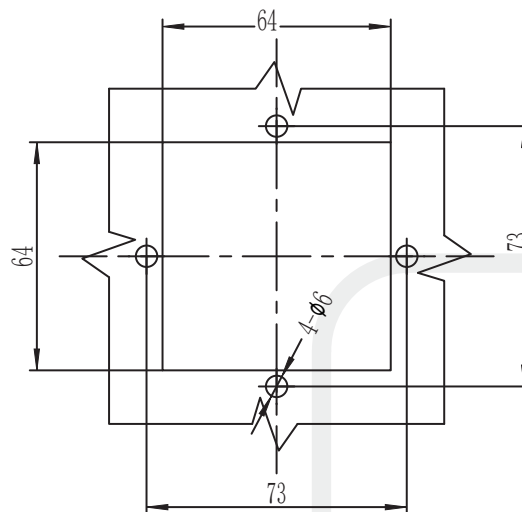
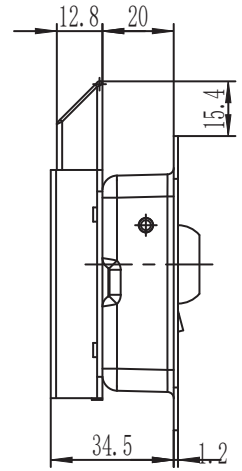
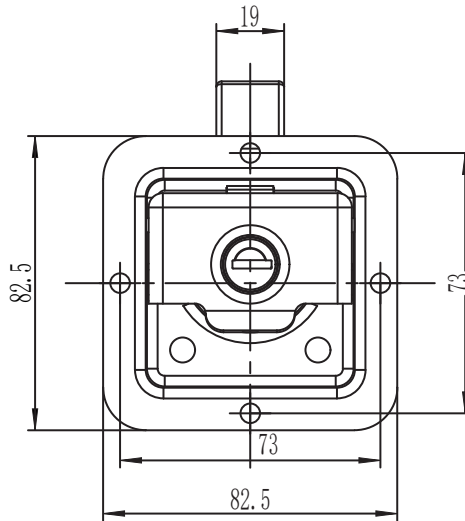
Paddle lock

**B-1508**



IP40

S  
SAINLESS  
SERIES



开孔尺寸  
Panel cutout

实际尺寸  
Actual size

如需获得产品3D模型图，请联系 WWW.FORND.COM

1. Material and surface treatment:  
Lock body, handle : SUS304

2. Performance parameters:  
Protection class: IP40  
Handle bearing tension value: ≤ 400N  
Bearing capacity of latch ≤ 1000N

3. Remarks:  
Default CH751 key

1. 材质及表面处理:  
锁体,手柄 :SUS304

2. 性能参数:  
防护等级: IP40  
手柄承载拉力值: ≤ 400N  
锁舌承载力 ≤ 1000N

3. 备注:  
默认 CH751 钥匙

SUS304	
CH751 钥匙锁定 CH751 key lock	无钥匙锁定 Non-locking
B-1508-10-A1	B-1508-20-A1