

compression cam latch

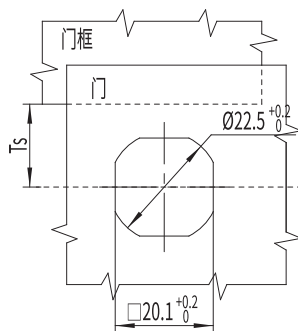
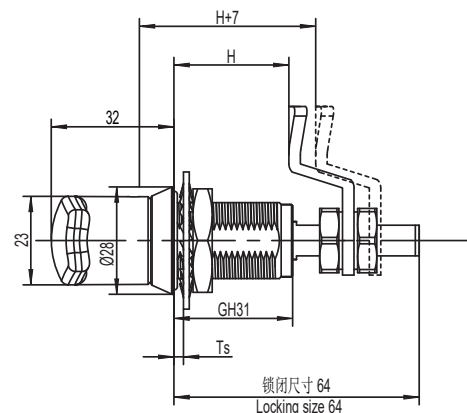
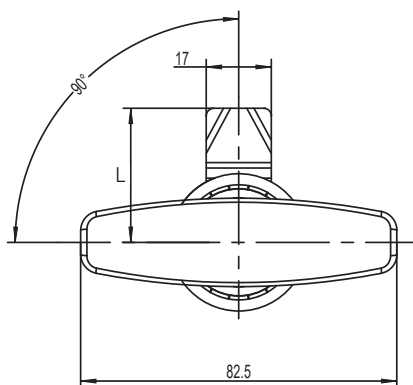
**C8-1564**



RL

IP65

SERIES



如需获得产品3D模型图，请联系WWW.FORND.COM

1. Material and surface treatment:

Main body : Zamak DIN-EN 1774-ZnAl4Cu1 or SUS304

Steel bolt: iron galvanized or SUS304

Sealing ring: EPDM foam.

2. Performance parameters:

Protection class: IP65

Unlocking torque:  $\leq 0.79\text{N/M}$

Ultimate load: 700N

Tensioning and stretching amount: 7mm

3. Installation instructions:

Fixed screw torque 10N. M

Fixed nut torque 17N. M

Applicable door panel thickness: 1-15mm

1. 材质及表面处理:

主体: 5#锌合金 或 SUS304

钢栓: 铁镀锌 或 SUS304

密封圈: EPDM发泡胶。

2. 性能参数:

防护等级: IP65

解锁扭矩: 小于等于 0.79N/M

极限载荷: 700N

拉紧伸缩量: 7mm

3. 安装说明:

固定螺丝扭矩 10N.M

固定螺母扭矩 17N.M

适用门板厚度: 1-15mm

选型 Model selection

30 代表电镀亮铬

30 represents electroplating bright chrome

40 代表喷塑亚光黑

40 represents Black powder coated

A1 代表 SUS304

A1 represents SUS304

**C8-1564-032-LH-30L**

L 代表钢栓长度

L represents the length of the steel bolt

H 代表有效高度

H represents effective height

旋转 Rotate



顺时针锁紧  
Clockwise locking



逆时针锁紧  
Lock counterclockwise