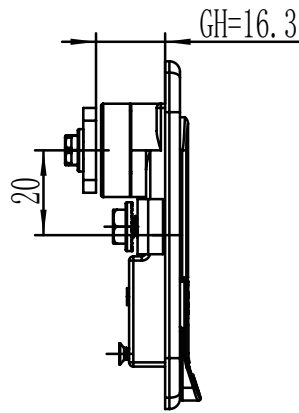
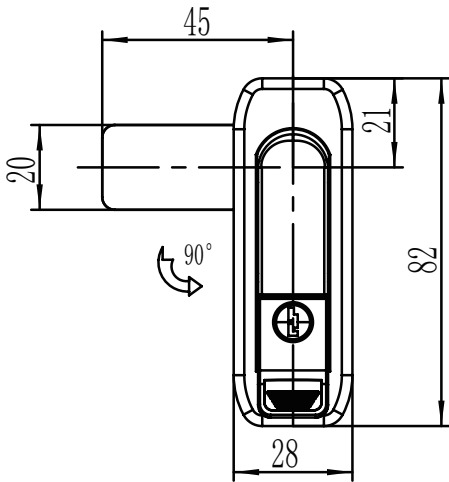


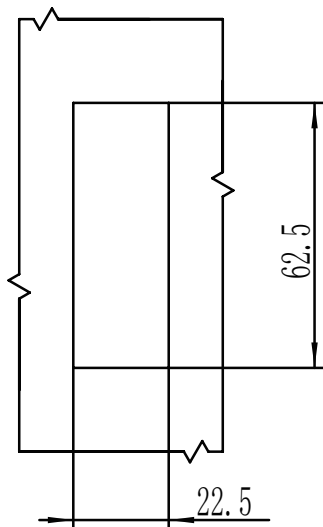
A-1125

Swing handle lock



RL

IP65



开孔尺寸
Panel Cutout

1. Material and surface treatment:
Lock body, handle dust cover : Zamak DIN-EN 1774-ZnAl4Cu1
Steel bolt: iron galvanized
Sealing ring: EPDM foam.

2. performance parameter
Protection level: IP65
Handle bearing tension value: $\leq 250\text{N}$
Handle bearing torque value: $\leq 14\text{N}\cdot\text{m}$
Maximum static load: 270N

3. Remarks:
Optional dedicated key
Default K200 key

1.材质及表面处理:
锁体, 手柄: 5#锌合金
螺栓: 铁镀锌
密封圈: EPDM发泡胶。

2.性能参数
防护等级: IP65
手柄承载拉力值: $\leq 250\text{N}$
手柄承载扭矩值: $\leq 14\text{N}\cdot\text{m}$
最大静载荷: 270N

3.备注:
专用钥匙可选
默认 K200钥匙

	锌合金 Zinc alloy	
锁定类型 Lock type	喷塑黑 Powder coating black	纳米喷漆 (银亚光) NM spray painting (matte silver)
钥匙锁定 key lock	A-1125-10-40	A-1125-10-50
无限制 No limit	A-1125-20-40	A-1125-20-50