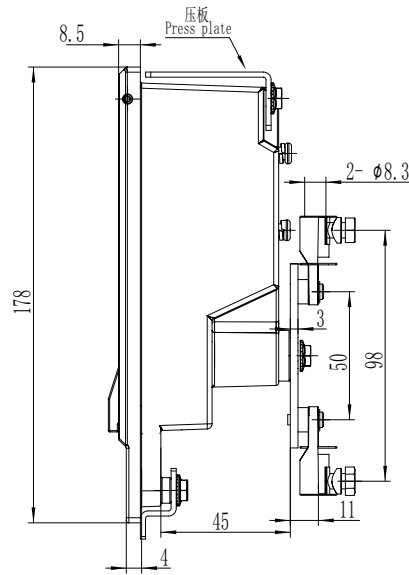
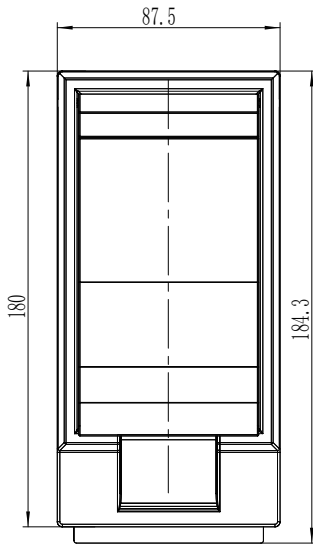


**A-1140**

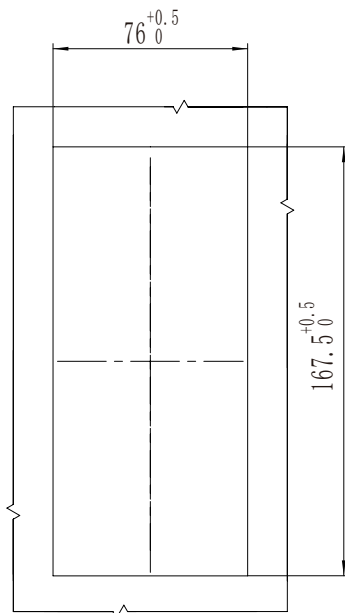
Swing handle lock



RL

S  
WIRELESS  
SERIES

IP54



开孔尺寸  
Panel Cutout

1. Material and surface treatment:  
Lock body, handle : Aluminum alloy or SUS304  
Steel bolt: iron galvanized or SUS304  
Sealing ring: EPDM

2. Performance parameters:  
Protection class: IP54  
Handle bearing torque value: ≤ 25N.m

3. Remark:  
Default K200 key

1. 材质及表面处理:  
锁体, 手柄: 铝合金或 SUS304  
螺栓: 铁镀锌或 SUS304  
密封圈: EPDM

2. 性能参数:  
防护等级: IP54  
手柄承载扭矩值: ≤ 25N.m

3. 备注:  
默认 K200 钥匙

锁体类型 Lock type	铝合金 Aluminum alloy		不锈钢 SUS304
	喷塑黑 Powder coating black	喷塑灰 Powder coating grey	拉丝抛光 Polishing
K200 钥匙锁定 K200 key lock	A-1140-10-40	A-1140-10-45	A-1140-10-A1
无限制 unlimited	A-1140-20-40	A-1140-20-45	A-1140-20-A1