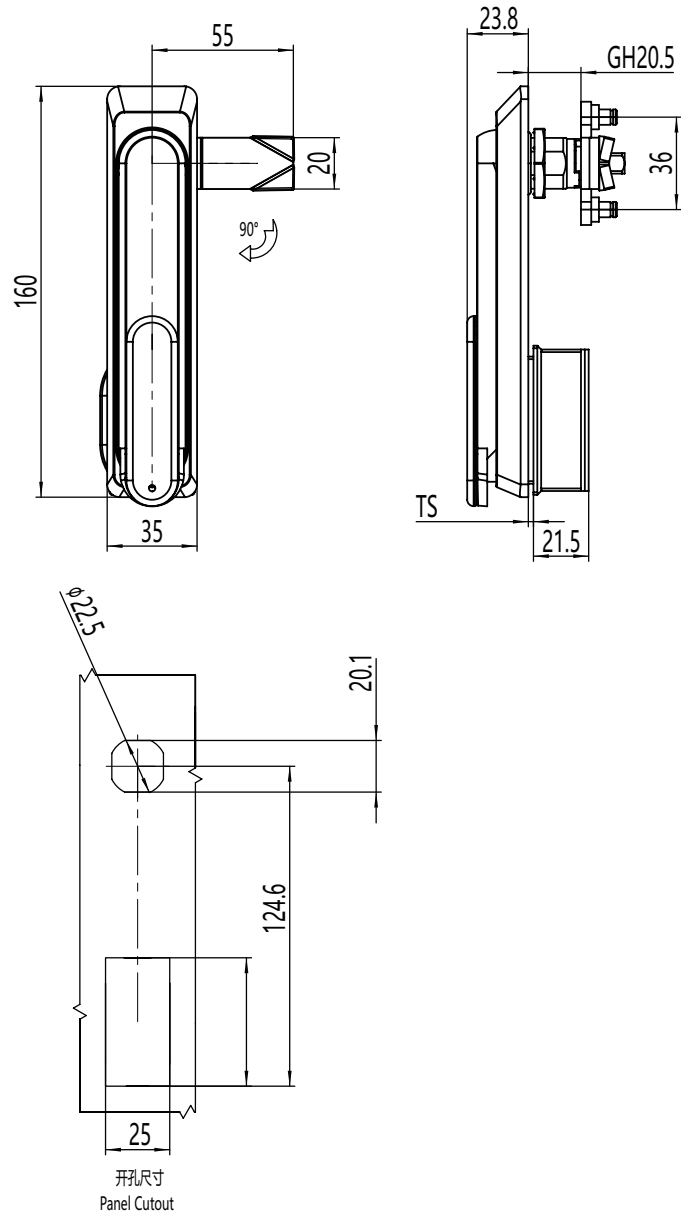


Swing handle lock

A-1202



如需获得产品3D模型图，请联系 WWW.FORND.COM

1. Material and surface treatment:
Lock body, handle, dust cover : Zamak
DIN-EN 1774-ZnAl4Cu1 or SUS 304
Steel bolt: iron galvanized or SUS304
Sealing ring: EPDM foam.

2. Performance parameters:
Protection class: IP65
Handle bearing tension value: $\leq 400\text{N}$
Handle bearing torque value: $\leq 35\text{N}\cdot\text{m}$

3. Remarks:
Optional dedicated key
CH751 key optional
Can be equipped with stainless steel padlock
Default K333 key

1. 材质及表面处理:
锁体, 手柄, 防尘盖: 5#锌合金喷塑黑或 SUS304
钢栓: 铁镀锌或SUS304
密封圈: EPDM发泡胶。

2. 性能参数: 防护等级: IP65
手柄承载拉力值: $\leq 400\text{N}$
手柄承载扭矩值: $\leq 35\text{N}\cdot\text{m}$

3. 备注:
专用钥匙可选
CH751 钥匙可选
可配不锈钢挂锁
默认 K333 钥匙

锁芯 Cylinder style	Version A(锁舌型 Cam control)	
	锌合金 Zinc alloy	不锈钢 SUS304
半圆柱 相同钥匙 K333 Alike K333 Profile Round Cylinder	A-1202-1001-C-40	A-1202-1001-C-A1