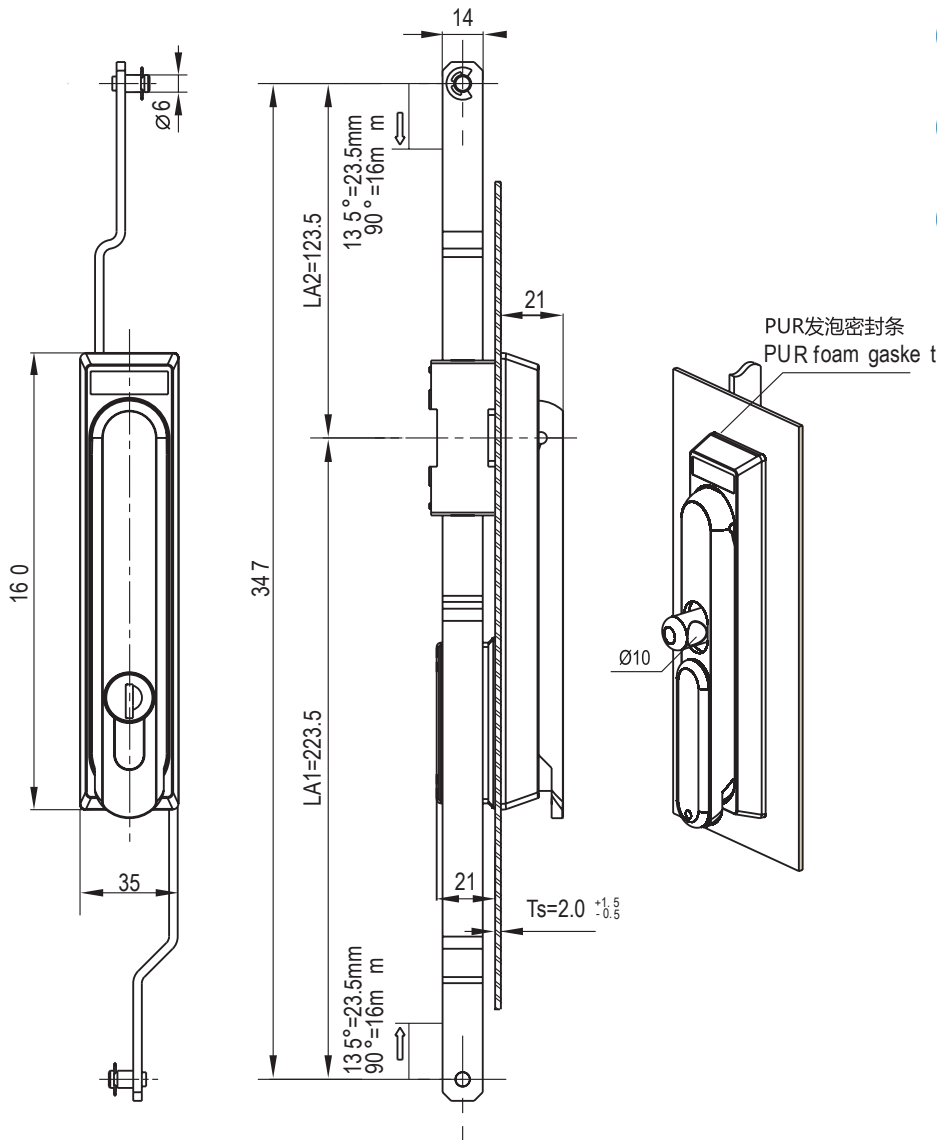


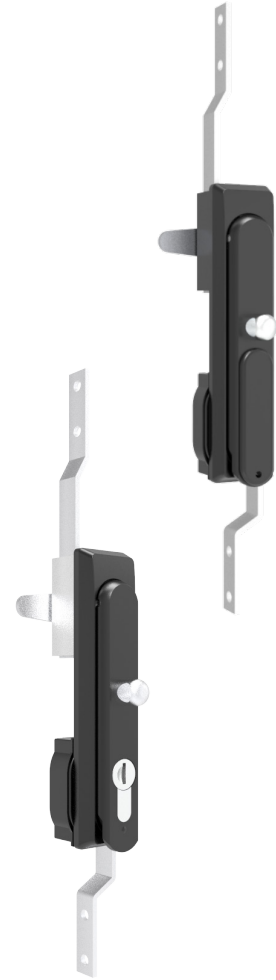
**A-1200** Rod Control Swinghandle



RL

🔒

IP65



1. Material and surface treatment:  
Lock body, handle, dust cover : Zamak  
DIN-EN 1774-ZnAl4Cu1  
Steel bolt: iron galvanized  
Sealing ring: EPDM foam.

2. Performance parameters:  
Protection class: IP65  
Handle bearing tension value: ≤ 400N  
Handle bearing torque value: ≤ 35N.m

4. Remarks:  
Optional dedicated key  
CH751 key optional  
Can be equipped with stainless steel padlock  
Default K333 key

1. 材质及表面处理:  
锁体, 手柄, 防尘盖: 5# 锌合金喷塑黑  
钢栓: 铁镀锌  
密封圈: EPDM发泡胶。

2. 性能参数:  
防护等级: IP65  
手柄承载拉力值: ≤ 400N  
手柄承载扭矩值: ≤ 35N.m

4. 备注:  
专用钥匙可选  
CH751 钥匙可选  
可配不锈钢挂锁  
默认 K333 钥匙

如需获得产品 3D 模型图, 请联系 WWW.FORND.COM

锁芯 Cylinder style	Version B( 两点拉杆型 2PProd control)		Version C( 三点拉杆型 3PProd control)	
	有防尘盖 With Dust Cap	无防尘盖 Without Dust Cap	有防尘盖 With Dust Cap	无防尘盖 Without Dust Cap
半圆柱 相同钥匙 K333 Alike K333 ProPle Round Cylinder	A-1200-2P01-C-40	A-1200-2P01-NC-40	A-1200-3P01-C-40	A-1200-3P01-NC-40
双翅 4mm (Double Bit 4mm)	A-1200-2P02-C-40	A-1200-2P02-NC-40	A-1200-3P02-C-40	A-1200-3P02-NC-40
三角锁芯 8mm (Triangular 8mm)	A-1200-2P03-C-40	A-1200-2P03-NC-40	A-1200-3P03-C-40	A-1200-3P03-NC-40
四方锁芯 7mm (Square 7mm)	A-1200-2P04-C-40	A-1200-2P04-NC-40	A-1200-3P04-C-40	A-1200-3P04-NC-40