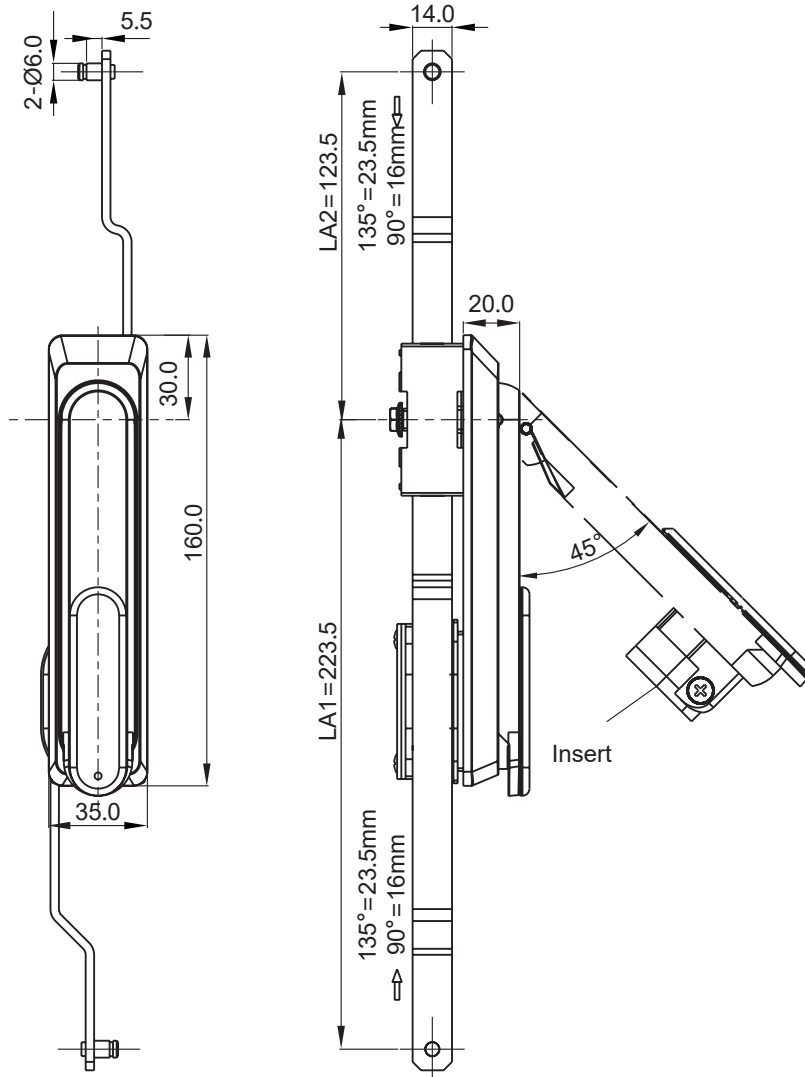


不锈钢连杆型旋转把手 SUS 304 Rod Control Swinghandle

A-1200 Rod Control Swinghandle



RL

STAINLESS
SERIES

IP65



1. Material and surface treatment:
Lock body, handle, dust cover : SUS304
Steel bolt: SUS304
Sealing ring: EPDM foam.

2. Performance parameters:
Protection class: IP65
Handle bearing tension value: $\leq 400\text{N}$
Handle bearing torque value: $\leq 35\text{N}\cdot\text{m}$

3. Remarks:
Default Keyed K333

1. 材质及表面处理:
锁体, 手柄, 防尘盖: SUS304
螺栓: SUS304
密封圈: EPDM发泡胶。

2. 性能参数:
防护等级: IP65
手柄承载拉力值: $\leq 400\text{N}$
手柄承载扭矩值: $\leq 35\text{N}\cdot\text{m}$

4. 备注:
默认K333钥匙

锁芯 Cylinder style	Version B(两点拉杆型 2Prod control)		Version C(三点拉杆型 3Prod control)	
	有防尘盖 With Dust Cap	无防尘盖 Without Dust Cap	有防尘盖 With Dust Cap	无防尘盖 Without Dust Cap
Hs8 异型锁芯 HS8 Proble Cylinder	A-1200-2P01-C-A1	A-1200-2P01-NC-A1	A-1200-3P01-C-A1	A-1200-3P01-NC-A1
圆柱 K333 相同钥匙 Alike K333 Round Cylinder	A-1200-2P02-C-A1	A-1200-2P02-NC-A1	A-1200-3P02-C-A1	A-1200-3P02-NC-A1
双翅 4mm (Double Bit 4mm)	A-1200-2P03-C-A1	A-1200-2P03-NC-A1	A-1200-3P03-C-A1	A-1200-3P03-NC-A1
四方锁芯 7mm (Square 7mm)	A-1200-2P04-C-A1	A-1200-2P04-NC-A1	A-1200-3P04-C-A1	A-1200-3P04-NC-A1