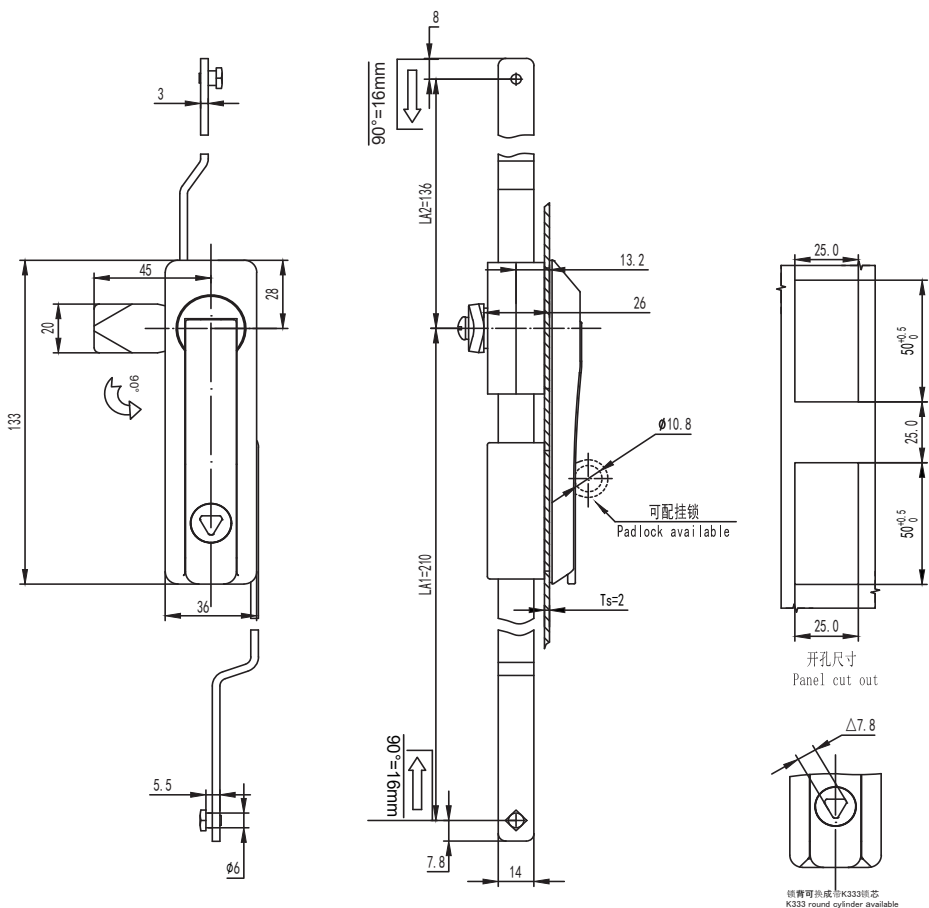


A-1206 Rod Control Swinghandle



RL

🔒

🔑

IP65



1. Material and surface treatment:
Lock body, handle : Zamak DIN-EN 1774-ZnAl4Cu1
Steel bolt : iron galvanized
Sealing ring : EPDM foam.

2. Performance parameters:
Protection class : IP65
Handle bearing tension value : $\leq 340N$
Handle bearing torque value : $\leq 28N \cdot m$

3. Remarks:
Optional dedicated key
CH751 key optional
Can be equipped with stainless steel padlock
Default K333 key

1. 材质及表面处理:
锁体, 手柄盖 : 5# 锌合金喷塑黑
螺栓 : 铁镀锌
密封圈 : EPDM 发泡胶。

2. 性能参数:
防护等级 : IP65
手柄承载拉力值 : $\leq 340N$
手柄承载扭矩值 : $\leq 28N \cdot m$

3. 备注:
专用钥匙可选
CH751 钥匙可选
可配不锈钢挂锁
默认 K333 钥匙

锁芯 Cylinder style		Version B(两点拉杆型 2Prod control)		Version C(三点拉杆型 3Prod control)	
		亚光漆 Matt Finish Oaint	喷塑亚光黑 Black Oowder coated	亚光漆 Matt Finish Oaint	喷塑亚光黑 Black Oowder coated
K333 锁芯 K333 cylinder	带挂 Padlockable	A-1206-2011-50	A-1206-2011-40	A-1206-3011-50	A-1206-3011-40
	不带挂 Without padlock	A-1206-2001-50	A-1206-2001-40	A-1206-3001-50	A-1206-3001-40
三角锁芯 Triangle insert	带挂 Padlockable	A-1206-2013-50	A-1206-2013-40	A-1206-3013-50	A-1206-3013-40
	不带挂 Without padlock	A-1206-2003-50	A-1206-2003-40	A-1206-3003-50	A-1206-3003-40