

Swing handle lock

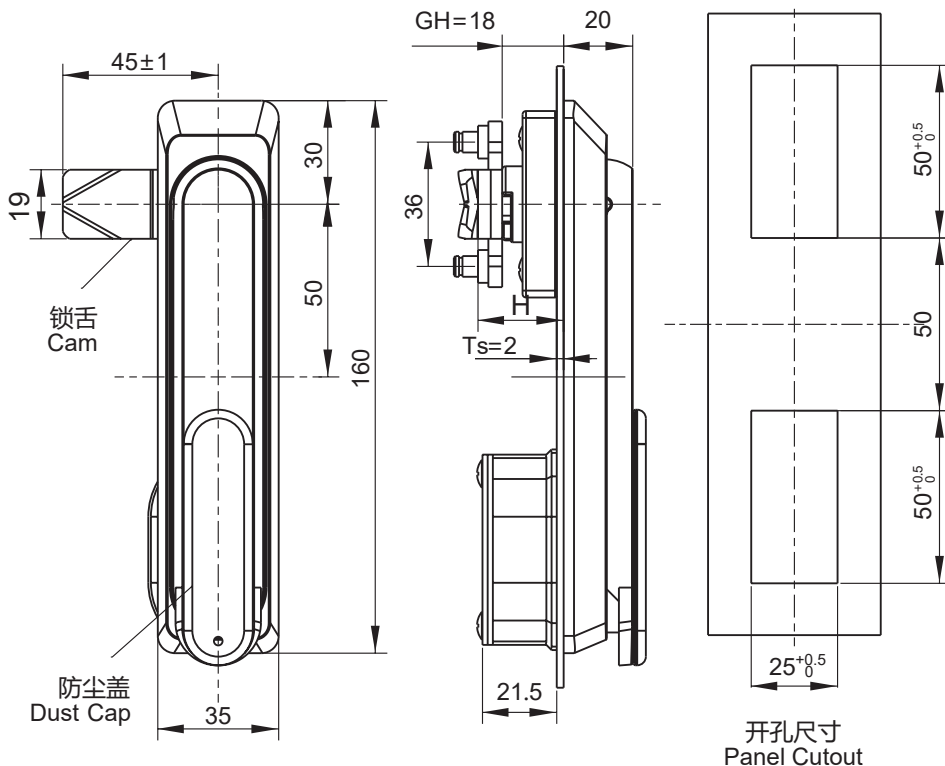
A-1200



RL

S
SUS
SERIES

IP65



如需获得产品3D模型图，请联系 WWW.FORND.COM

1. Material and surface treatment:
Lock body, handle, dust cover : SUS304
Steel bolt: SUS304
Sealing ring: EPDM foam.

2. Performance parameters:
Protection class: IP65
Handle bearing tension value: ≤ 400N
Handle bearing torque value: ≤ 35N. m

3. Remarks:
Default Keyed K333

1. 材质及表面处理:
锁体, 手柄, 防尘盖: SUS304
钢栓: SUS304
密封圈: EPDM发泡胶。

2. 性能参数:
防护等级: IP65
手柄承载拉力值: ≤ 400N
手柄承载扭矩值: ≤ 35N.m

4. 备注:
默认K333钥匙

锁芯 Cylinder style	Version A(锁舌型 Cam control)	
	有防尘盖 With Dust Cap	无防尘盖 Without Dust Cap
半圆柱 相同钥匙 K333 Alike K333 Prople Round Cylinder	A-1200-1P01-C-A1	A-1200-1P01-NC-A1
双翅 4mm (Double Bit 4mm)	A-1200-1P02-C-A1	A-1200-1P02-NC-A1
三角锁芯 8mm (Triangular 8mm)	A-1200-1P03-C-A1	A-1200-1P03-NC-A1
四方锁芯 7mm (Square 7mm)	A-1200-1P04-C-A1	A-1200-1P04-NC-A1