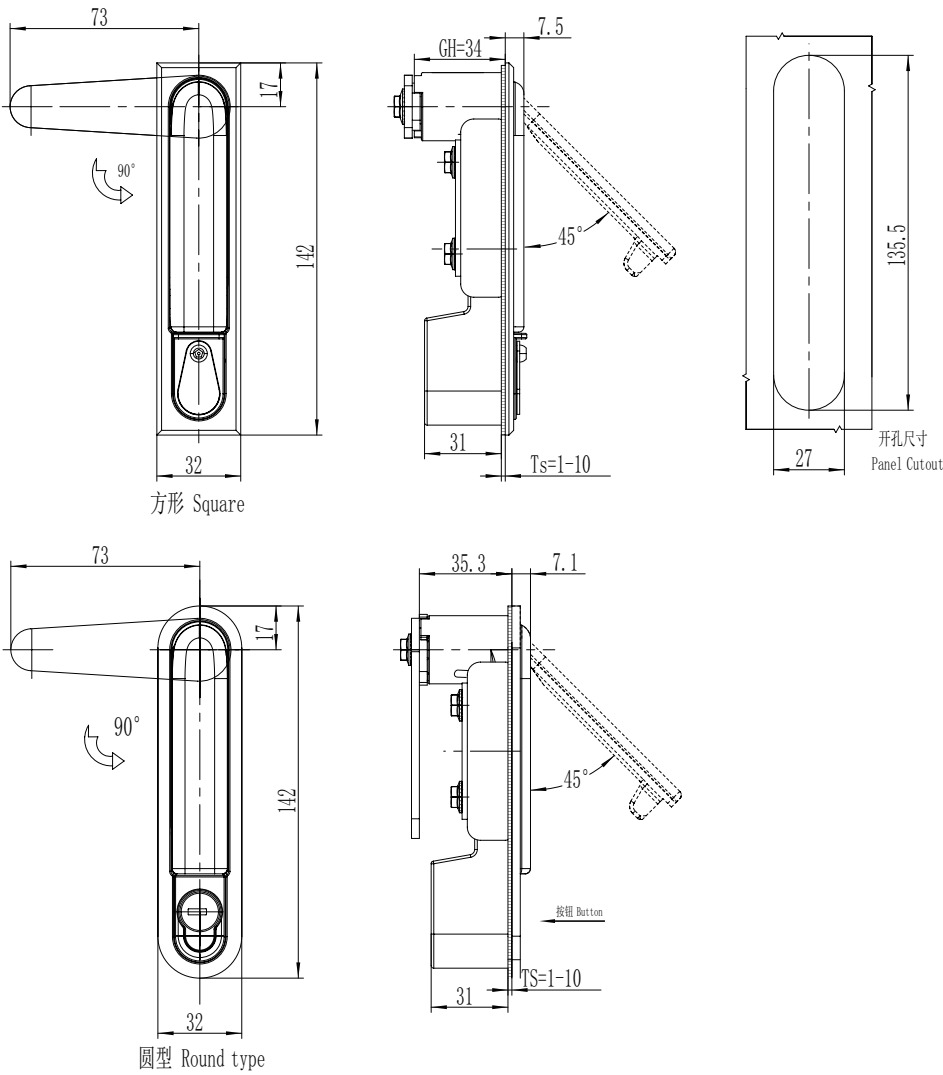


A-1117

Swing handle lock



RL

IP65



1. Material and surface treatment:
Lock body, handle dust cover : Zamak DIN-EN 1774-ZnAl4Cu1
Steel bolt: iron galvanized
Sealing ring: EPDM foam.

2. performance parameter
Protection level: IP65
Handle bearing tension value: $\leq 250\text{N}$
Handle bearing torque value: $\leq 30\text{N}\cdot\text{m}$
Maximum static load: 300N

3. Function Description:
Open the handle upwards and rotate it 90° to achieve opening
Can be equipped with a padlock

3. Remarks:
Optional dedicated key
Default K333 key

1.材质及表面处理:
锁体, 手柄: 5# 锌合金
钢栓: 铁镀锌
密封圈: EPDM发泡胶。

2.性能参数
防护等级: IP65
手柄承载拉力值: $\leq 250\text{N}$
手柄承载扭矩值: $\leq 30\text{N}\cdot\text{m}$
最大静载荷: 300N

3.功能描述:
手柄向上打开, 90° 旋转实现开启
可带挂锁

3.备注:
专用钥匙可选
默认 K333 钥匙

如需获得产品 3D 模型图, 请联系 WWW.FORND.COM

外形 Shape	喷塑黑 Powder coating black	纳米喷漆 (银亚光) NM spray painting (matte silver)	不锈钢 Stainless steel 拉丝抛光 polishing
方形 Square	A-1117-10-40	A-1117-10-50	A-1117-10-A1
圆形 Circular type	A-1117-20-40	A-1117-20-50	A-1117-20-A1