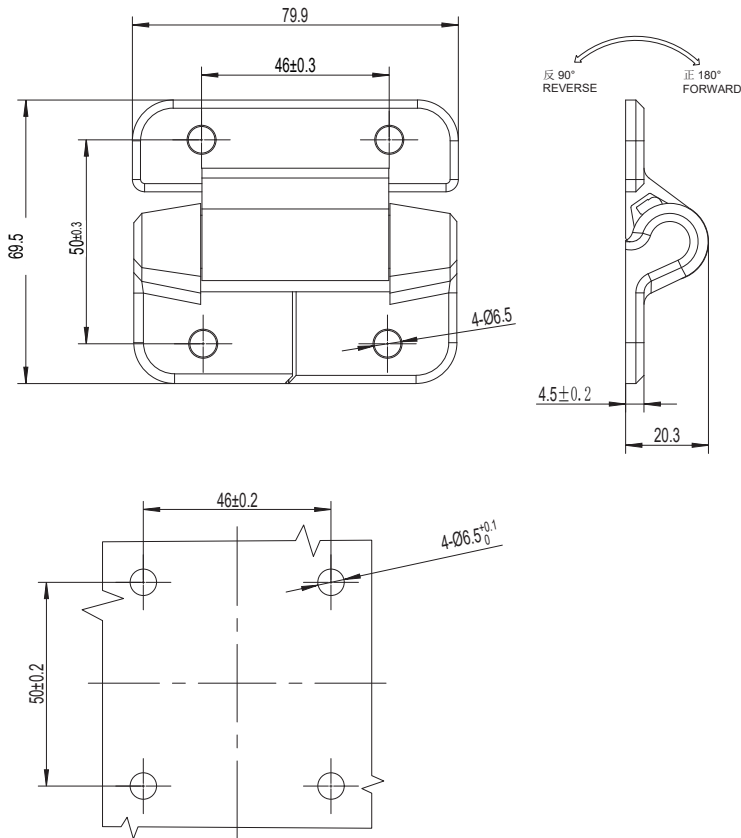


螺钉固定扭矩铰链 Screw-on Torque Hinge

H1-2420

Screw-on Torque Hinge



开孔尺寸
Panel cutout



不对称扭矩 N.m Asymmetric N.m		
喷塑亚光黑 Black powder coated	向前扭矩 N.m Forward Torque N.m	反向扭矩 N.m Reverse Torque N.m
H1-2420-2317F	2.3	1.7
3930H1-2420F	3.9	3.0
H1-2420-5740F	5.7	4.0
H1-2420-7354F	7.3	5.4
H1-2420-9067F	9.0	6.7
H1-2420-1078F	10.7	7.8
H1-2420-1290F	12.4	9.0
H1-2420-1723R	1.7	2.3
H1-2420-3039R	3.0	3.9
H1-2420-4057R	4.0	5.7
H1-2420-5473R	5.4	7.3
H1-2420-6790R	6.7	9.0
H1-2420-7810R	7.8	10.7
H1-2420-9012R	9.0	12.4

对称扭矩 N.m Symmetric N.m	
喷塑亚光黑 Black powder coated	对称扭矩 Symmetrical Torque
H1-2420-23	2.3
H1-2420-39	3.9
H1-2420-57	5.7
H1-2420-73	7.3
H1-2420-90	9.0

1. Material and surface treatment:
Main body : Zamak DIN-EN 1774-ZnAl4Cu1

1. 材质及表面处理:
主体: 5# 锌合金

如需获得产品 3D 模型图，请联系 WWW.FORND.COM