

over center latch

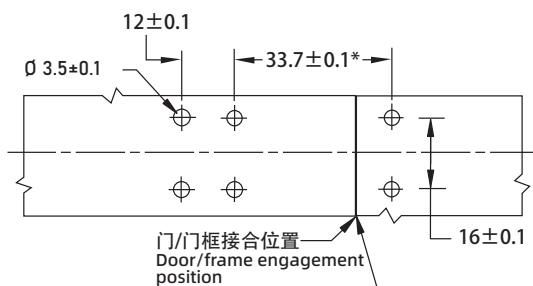
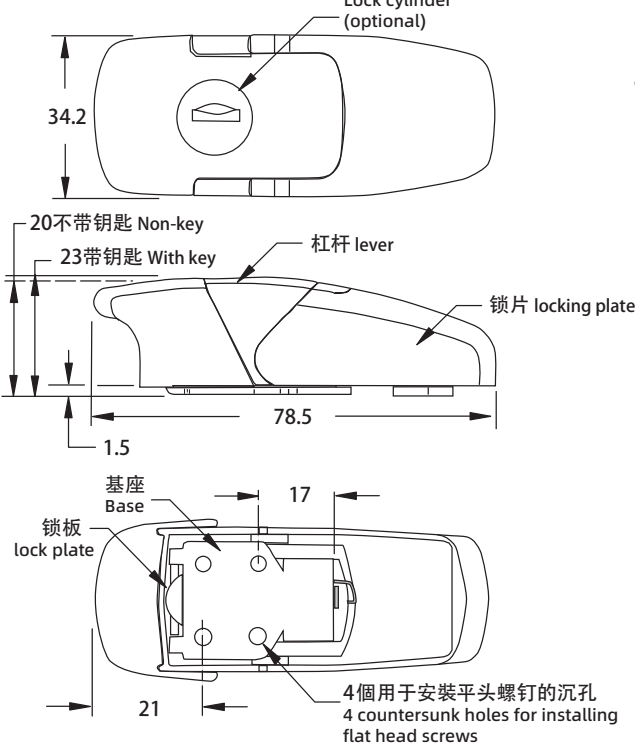
F-1601

IP40

门锁 Door lock

锁芯(选装)
Lock cylinder
(optional)

保持器 Holder



*建议根据门板变化使用密封垫
Use sealing gaskets according to changes in door panels

如需获得产品3D模型图，请联系 WWW.FORND.COM

1. Material and surface treatment:
Lock body, handle, holder : SUS316

2. Performance parameters:
Protection class: IP40
Maximum working load: 1200N

3. Remarks:
Default K200 key

1. 材质及表面处理:
锁体, 手柄, 保持器: SUS316

2. 性能参数:
防护等级: IP40
最大工作载荷: 1200N

3. 备注:
默认 K200 钥匙

不带钥匙 Non-key	带钥匙锁, 与钥匙编码 K200 钥匙相配 With keylock, matched with key code K200 key
F-1601-201-A2	F-1601-211-A2