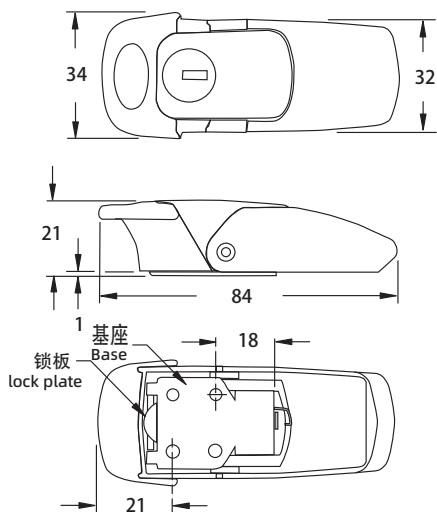
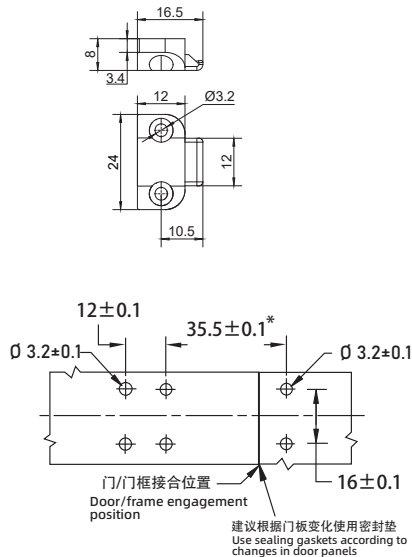


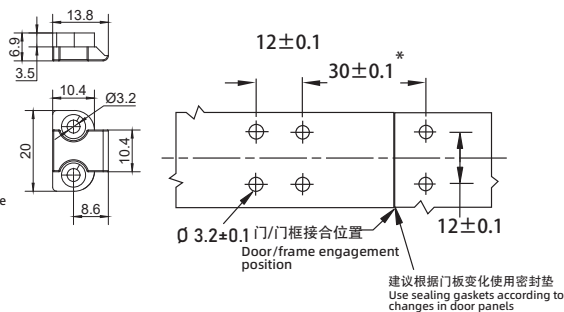
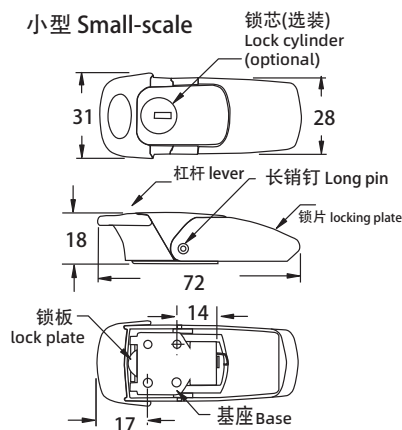
门锁 Door lock 大型 Large



保持器 Holder



门锁 Door lock 小型 Small-scale



1. Material and surface treatment:
Lock body, handle, holder : Zamak DIN-EN 1774-ZnAl4Cu1

2. Performance parameters:
Protection class: IP40
Maximum working load: 1200N

3. Remarks:
Default K200 key

	亮铬 Bright chrom	哑光铬 Matte chrome	喷塑亚光黑 Black powder coated
小型, 不带钥匙 Small, without key	F-1601-100-30	F-1601-100-36	F-1601-100-40
小型, 带钥匙 (附 2 把钥匙) Small with keys (2 keys included)	F-1601-110-30	F-1601-110-36	F-1601-110-40
大型, 不带钥匙 Large without key	F-1601-200-30	F-1601-200-36	F-1601-200-40
大型, 带钥匙 (附 2 把钥匙) Large with keys (2 keys included)	F-1601-210-30	F-1601-210-40	F-1601-210-40

1. 材质及表面处理:
锁体, 手柄, 保持器: 5# 锌合金

2. 性能参数:
防护等级: IP40
最大工作载荷: 1200N

3. 备注:
默认 K200 钥匙