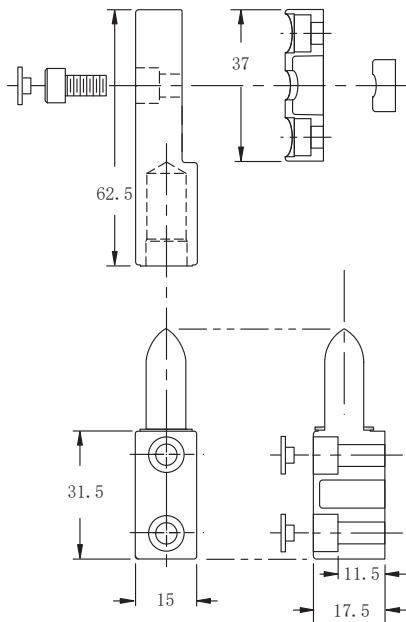


螺钉固定铰链 Screw-on Hinge

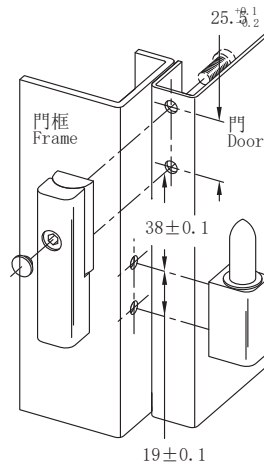
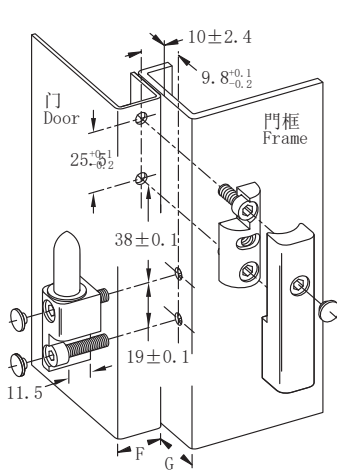
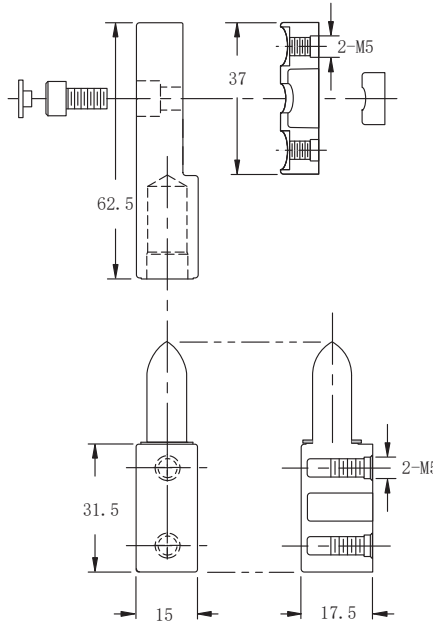
H1-2302

Screw-on Hinge

前面固定
Front Mount



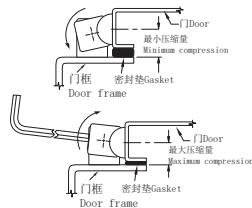
隐藏式固定
Concealed Mount



附注Remark:

铰链可提供5毫米调整总量F或G
两个尺寸之一必须小于19.8毫米
时门才能打开180°

The hinge can provide a total
adjustment of 5 millimeters.
One of the two dimensions, F or G,
must be less than 19.8 millimeters
in order for the door to open 180°



如需获得产品 3D 模型图，请联系 WWW.FORND.COM

	径向载荷 Radial load	轴向载荷 Axial load
最大静载荷 Maximum static load	1000N	2220N
平均极限载荷 Average ultimate load	1550N	14,000N

1. Material and surface treatment:
Main body : Zamak DIN-EN 1774-ZnAl4Cu1
or SUS304

1. 材质及表面处理:
主体: 5#锌合金 或 SUS304

安装方式 Installation method	喷塑黑 Black Powder Coated	亮铬 Bright Chrome	SUS304
前面固定 Front fixed	H1-2302-20-40L	H1-2301-20-30L	H1-2301-20-A1L
隐藏式固定 Concealed fastening	H1-2301-10-40R	H1-2301-10-30R	H1-2301-10-A1R