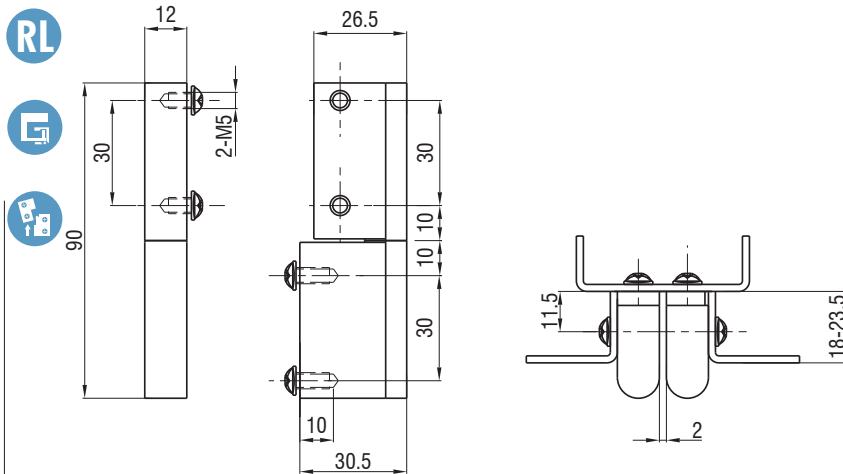


Lift-off Hinge

H1-2309



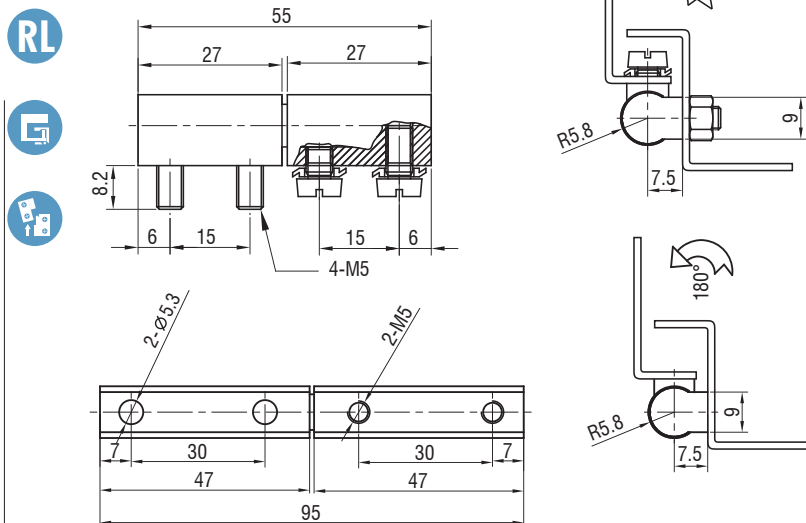
1. Material and surface treatment:
Main body : Zamak DIN-EN 1774-ZnAl4Cu1

1. 材质及表面处理:
主体: 5#锌合金

麻面黑 Black Textured Powder Coated	亮铬 Bright Chrome
H1-2309-42	H1-2309-30

Lift-off Hinge

H1-2311



1. Material and surface treatment:
Main body : Zamak DIN-EN 1774-ZnAl4Cu1

1. 材质及表面处理:
主体: 5#锌合金

长度 Length	
L=55	H1-2304-55
L=95	H1-2304-95

如需获得产品3D模型图，请联系 WWW.FORND.COM