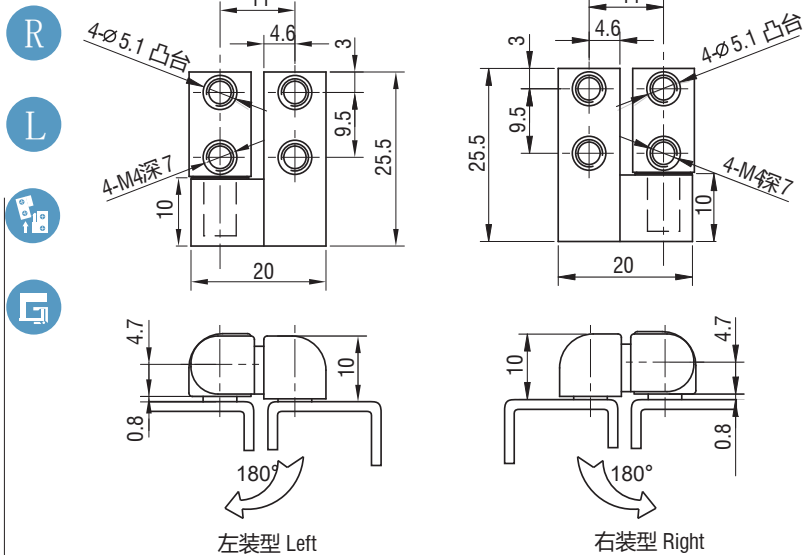


Lift-off Hinge

H1-2300



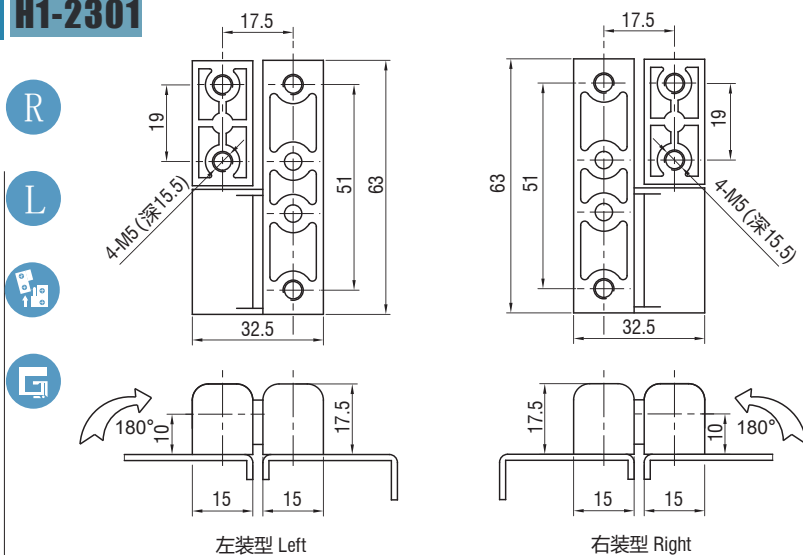
1. Material and surface treatment:
Main body : Zamak DIN-EN 1774-ZnAl4Cu1

1. 材质及表面处理:
主体: 5#锌合金

喷塑黑 Black Powder Coated		SUS304	
A 型 (左装) Version A (Left)	B 型 (右装) Version B (Right)	A 型 (左装) Version A (Left)	B 型 (右装) Version B (Right)
H1-2300-40L	H1-2300-40R	H1-2300-A1L	H1-2300-A1R

Lift-off Hinge

H1-2301



1. Material and surface treatment:
Main body : Zamak DIN-EN 1774-ZnAl4Cu1 or SUS304

1. 材质及表面处理:
主体: 5#锌合金或 SUS304

	喷塑黑 Black Powder Coated	亮铬 Bright Chrome	SUS304
Version A (Left) A 型 (左装)	H1-2301-40L	H1-2301-30L	H1-2301-A1L
Version B (Right) B 型 (右装)	H1-2301-40R	H1-2301-30R	H1-2301-A1R

如需获得产品 3D 模型图，请联系 WWW.FORND.COM