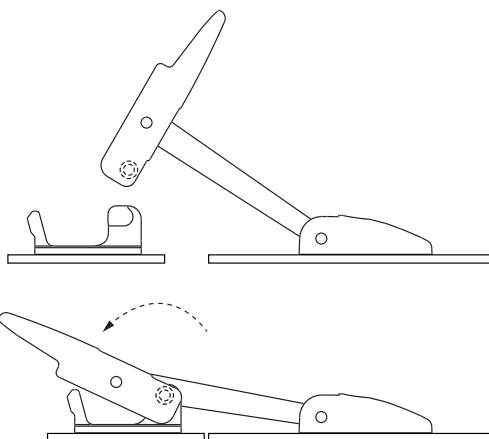
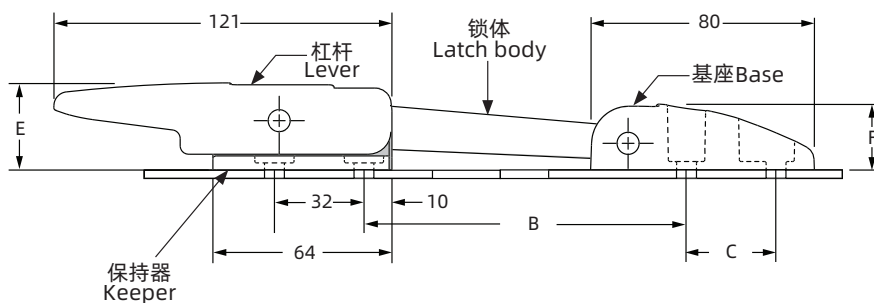
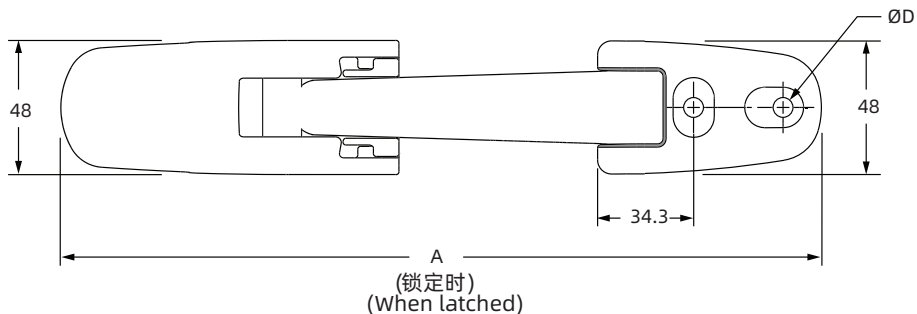


Draw Latch

F-1722



如需获得产品3D模型图，请联系 WWW.FORND.COM

1. Material and surface treatment:
Main body: Ethylene and propylene rubber and black nylon with fiberglass, with stainless steel pins

1. 材质及表面处理:
主体: 乙烯和丙烯橡胶和黑色尼龙加玻纤, 带不锈钢销钉

零件号 Part Number	公称夹紧力 N Nominal Clamp Force N	尺寸 Dimensions					
		A	B	C	ØD	E	F
F-1722-294-60	110	254	97	25.4	5.5	31.1	23.5
F-1722-297-60	190	379	222				
F-1722-295-60	350	300	144	32	6.6	38.6	29
F-1722-305-60	475						