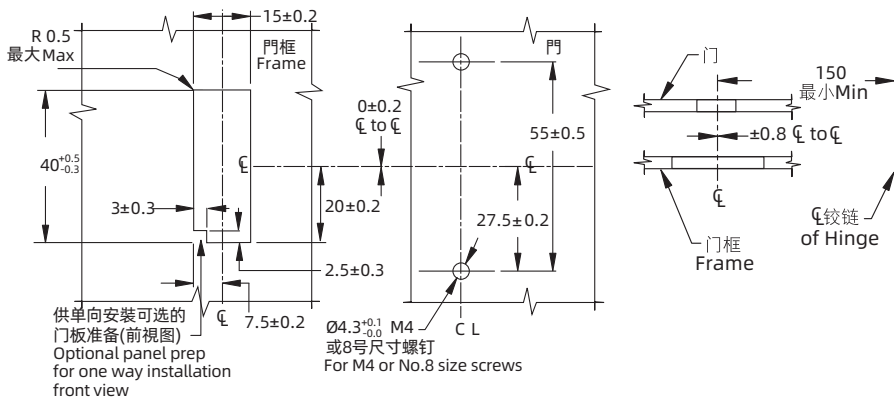
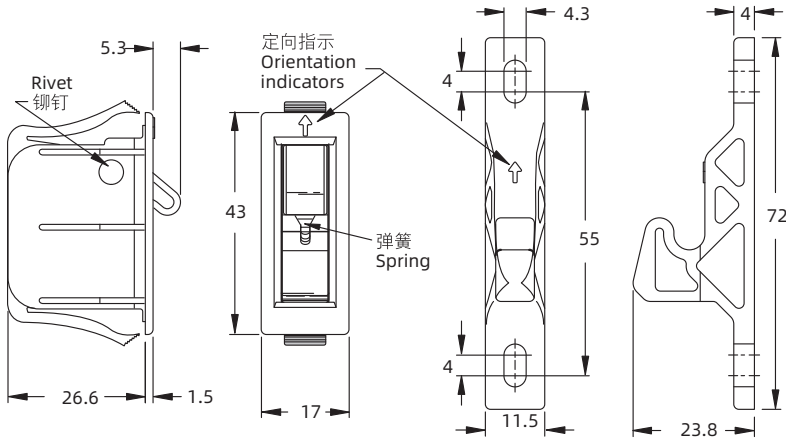


## F-2001 Push-to-Close Latch

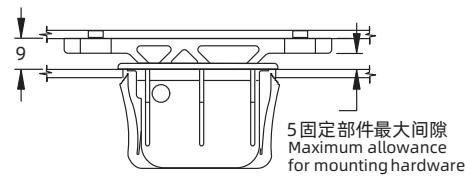
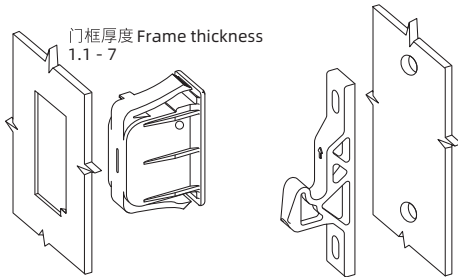
搭扣 Catch

保持器 Keeper



供单向安装可选的  
门板准备(前视图)  
Optional panel prep  
for one way installation  
front view

门框厚度 Frame thickness  
1.1 - 7



5 固定部件最大间隙  
Maximum allowance  
for mounting hardware

近似拉出力 Approximate Pull-Up Force	弹簧颜色 Spring Color	零件号 Part Number		
		门框厚度范围 Frame Thickness Range		
		1.1 - 2.9	2.9 - 5.3	5.3 - 7
13N	蓝色	F-2001-303	F-2001-503	F-2001-703
22N	银色	F-2001-305	F-2001-505	F-2001-705
44N	黑色	F-2001-310	F-2001-510	F-2001-710

1. Material and surface treatment:  
Housing: PC/ABS or glass-filled nylon  
Keeper: Mineral filled nylon

2. Performance Details  
Operating temperature range:  
-30°C (-20°F) to 60°C (140°F)  
Flammability rating: UL94-HB

1. 材质及表面处理:  
Housing: PC/ABS 和黑色尼龙加玻纤  
保持器: 矿物填充尼龙

2. 性能详述  
工作温度范围: -30°C 到 60°C  
阻燃等级: UL94-HB