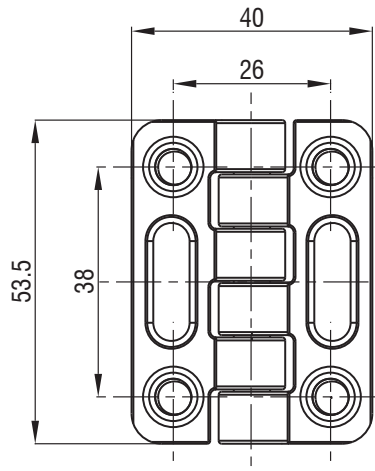
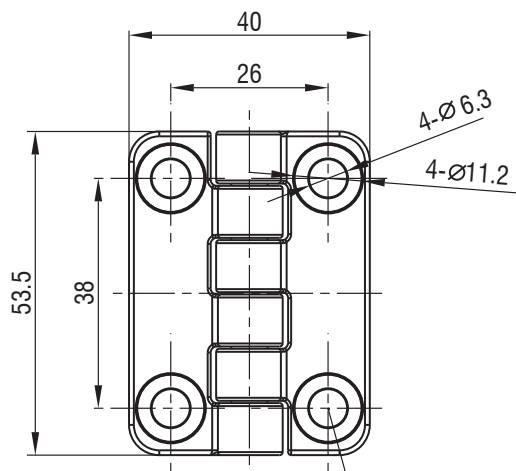
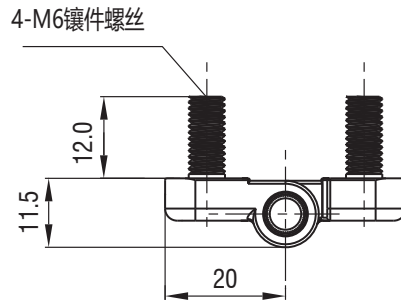
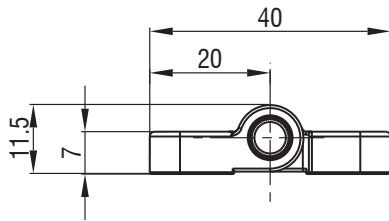
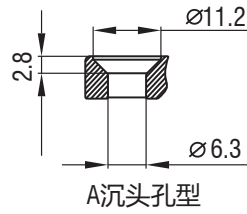


H1-2102

Screw-on Hinge



M6 沉头螺钉固定
Countersunk Screw M6

表面处理 Finish	M6 沉头螺钉固定 Countersunk Screw M6	M6 镶嵌螺柱 With Threaded Studs M6
喷塑黑 Black Powder Coated	H1-2102-540-40	H1-2102-541-40
亮铬 Bright Chrome	H1-2102-540-30	H1-2102-541-30
SUS304	H1-2102-540-A1	H1-2102-541-A1

1. Material and surface treatment:
Main body : Zamak DIN-EN 1774-ZnAl4Cu1
or SUS304

1. 材质及表面处理:
主体: 5#锌合金或 SUS304

如需获得产品 3D 模型图，请联系 WWW.FORND.COM