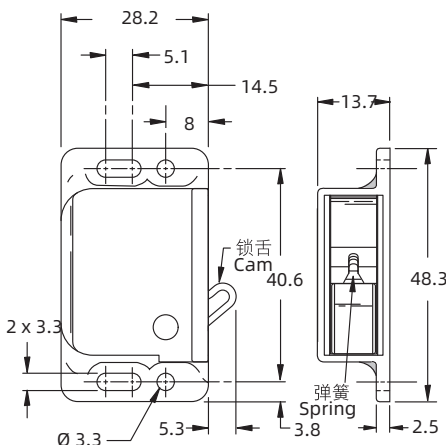


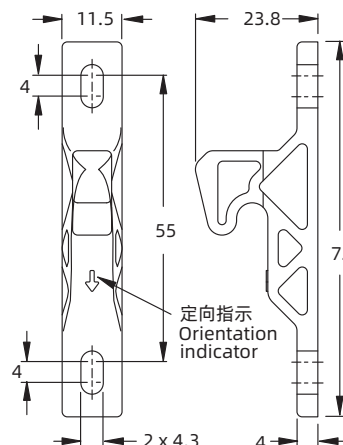
Push-to-Close Latch

F-2002

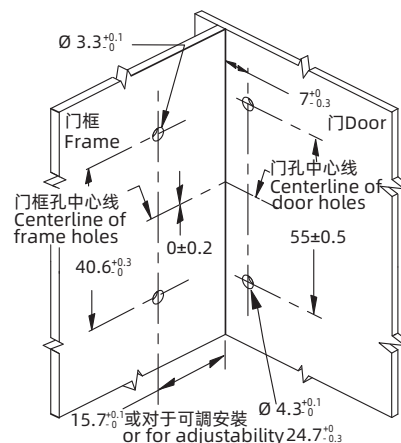
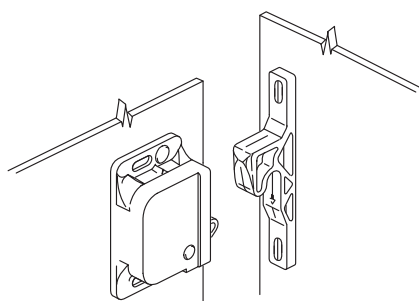
搭扣 Catch



保持器 Keeper



图示为右侧安装
翻转搭扣及保持器供左侧安装
Right Side Installation Shown
Invert catch and keeper
for left side installation



附注：只有希望用搭扣的狭槽进行调整时才使用这些孔及尺寸。
Note: These holes and dimensions are used only if adjustability through the use of slotted holes in catch is desired.

如需获得产品3D模型图，请联系 WWW.FORND.COM

1. Material and surface treatment:
Housing: PC/ABS or glass-filled nylon
Keeper: Mineral filled nylon

2. Performance Details
Operating temperature range:
-30°C (-20°F) to 60°C (140°F)
Flammability rating: UL94-HB

1. 材质及表面处理:
Housing: PC/ABS 和黑色尼龙加玻纤
保持器: 矿物填充尼龙

2. 性能详述
工作温度范围: -30°C到60°C
阻燃等级: UL94-HB

| 近似拉出力 Approximate Pull-Up Force | 弹簧颜色 Spring Color | 零件号 Part Number |
|------------------------------------|----------------------|-----------------|
| 13N | 蓝色 Blue | F-1702-803 |
| 22N | 银色 Silver | F-1702-805 |
| 44N | 黑色 Black | F-1702-810 |