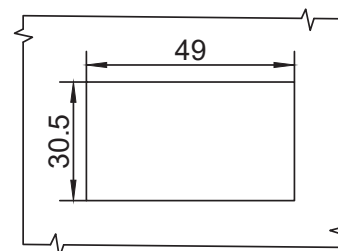
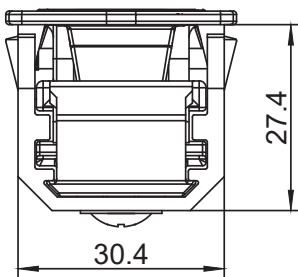
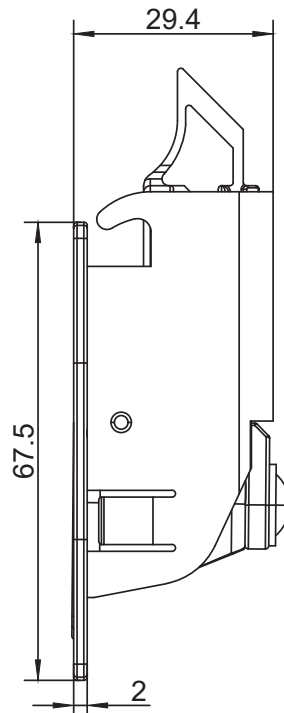
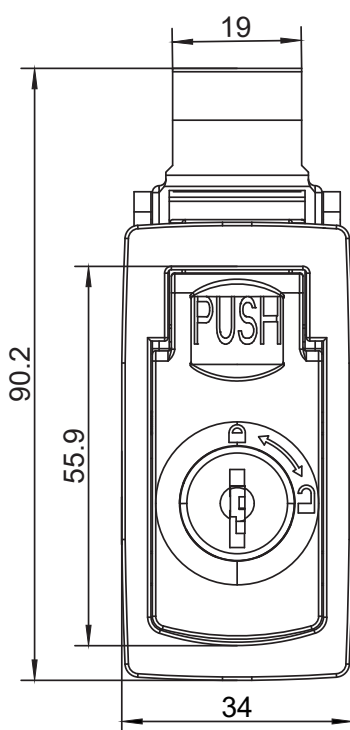


Push-to-Close Latch

F-1915



如需获得产品3D模型图，请联系 WWW.FORND.COM

1. Material and surface treatment:
Latch: ABS, black
Spring: Stainless steel

2. Performance Details
Operating temperature range:
-40°C (-40°F) to 60°C (140°F)
Flammability rating: UL94-V0

1. 材质及表面处理:
门锁: ABS, 黑色
弹簧: 不锈钢

2. 性能详述
工作温度范围: -40°C到60°C
阻燃等级: UL94-V0

不带锁 Non-Locking	K200 钥匙 Keyed K200
F-1916-80-525-20-12	F-1916-85-525-10-12
F-1916-80-625-20-12	F-1916-85-625-10-12